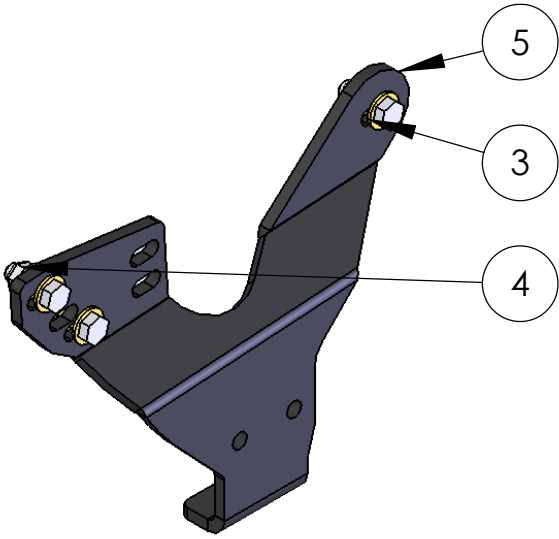
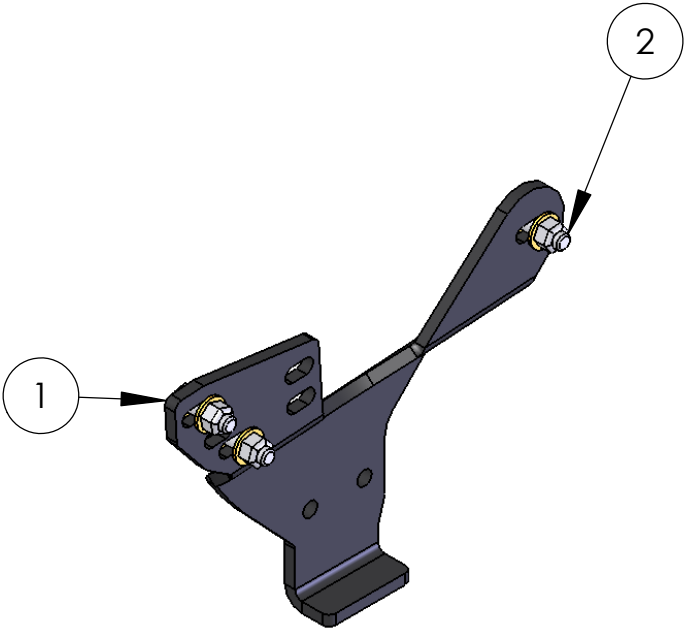
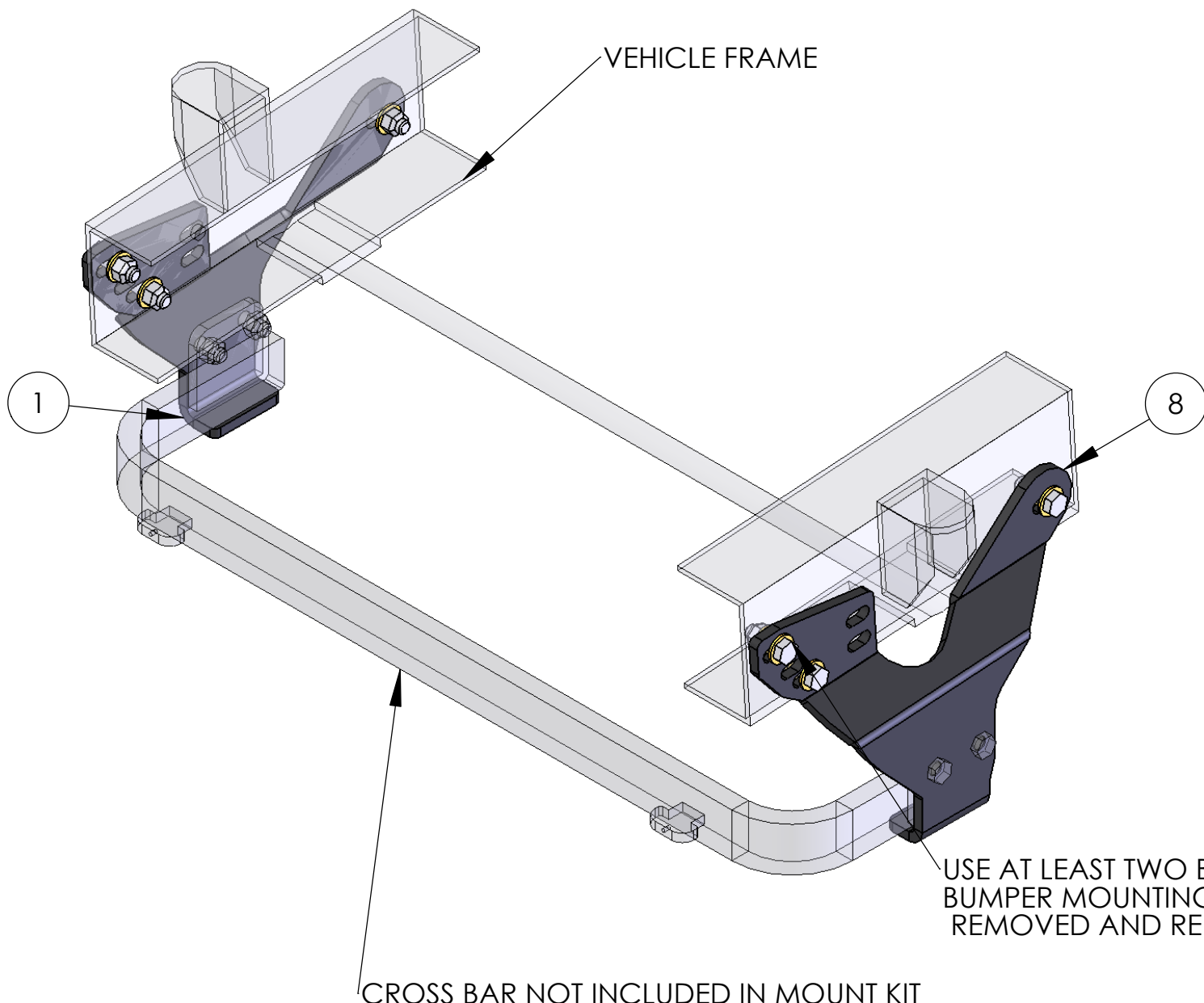


ITEM NO.	PART NUMBER	mount/QTY.
1	81100-1	1
2	HH-0500-1500-Z	6
3	FW-0500-Z	12
4	NIN-0500-Z	6
5	Mirror81100-1	1



SIZE <b>A</b>	DWG. NO. <b>81100-A</b>	REV
SCALE: 1:5	WEIGHT:	SHEET 1 OF 2



VEHICLE FRAME

1

8

USE AT LEAST TWO BOLT LOCATIONS  
BUMPER MOUNTING BOLTS MAY HAVE TO BE  
REMOVED AND REPLACED WITH SUPPLIED

CROSS BAR NOT INCLUDED IN MOUNT KIT

SIZE <b>A</b>	DWG. NO. <b>81100-A</b>	REV
SCALE: 1:1	WEIGHT:	SHEET 2 OF 2

5 4 3 2 1