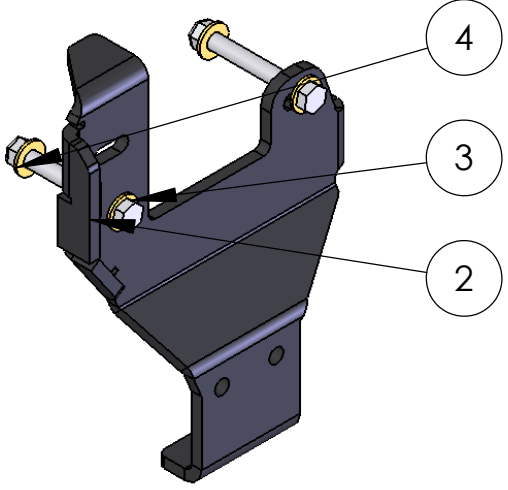
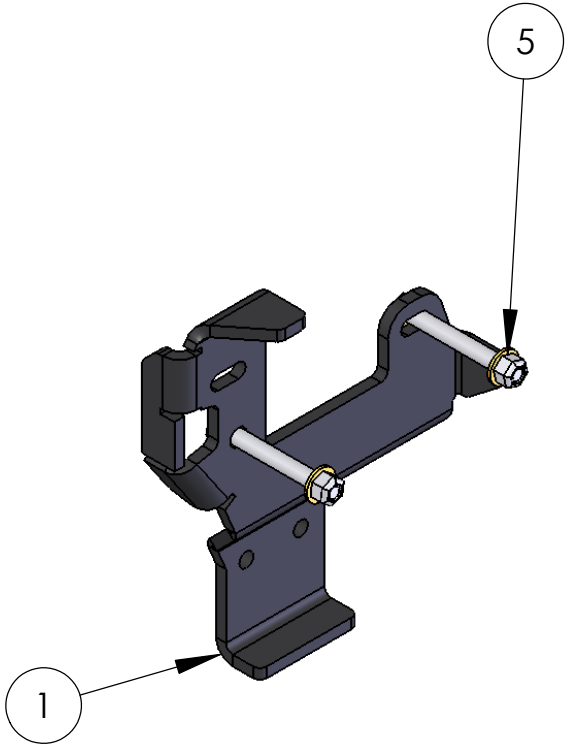
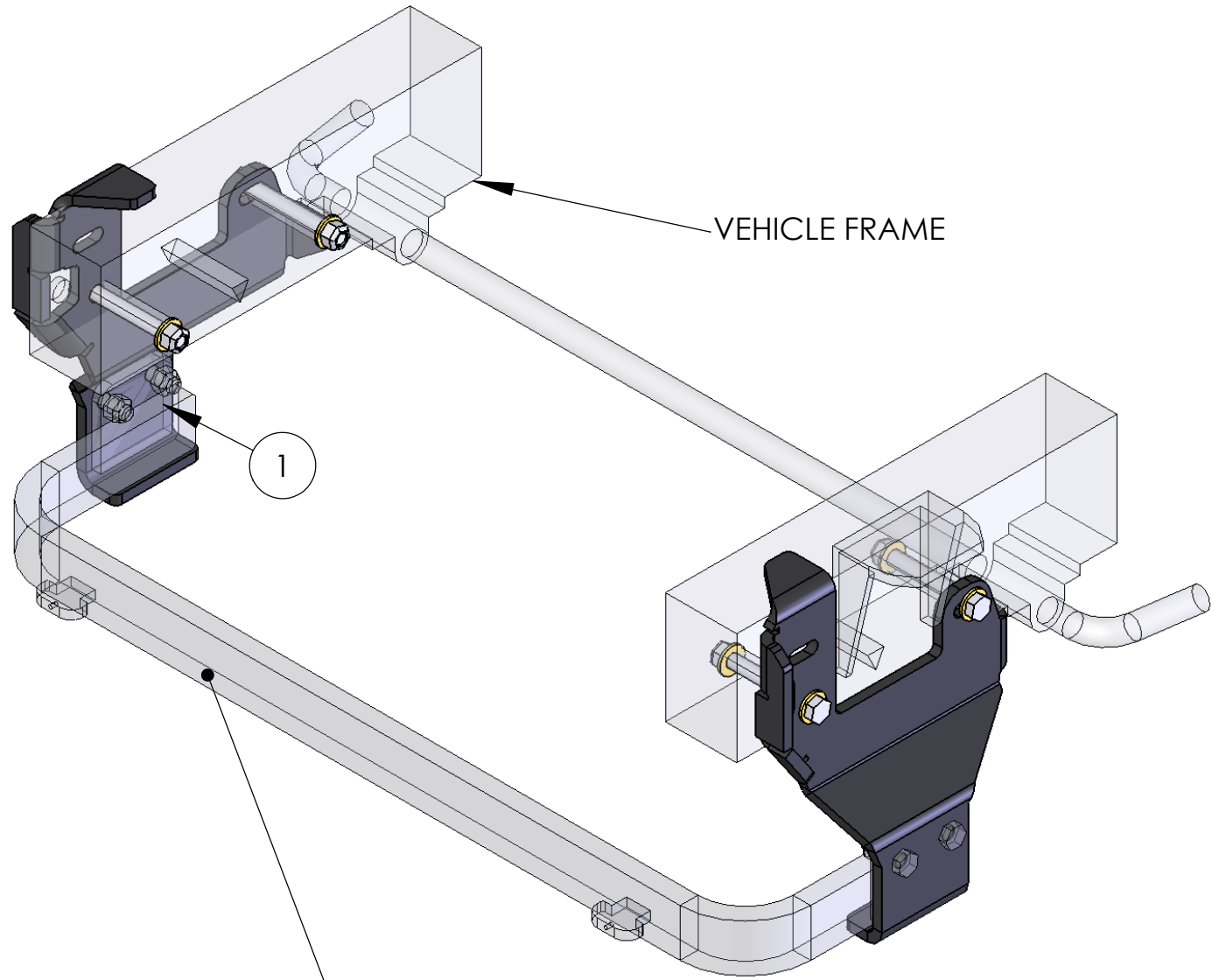


ITEM NO.	PART NUMBER	mount/QTY.
1	81110-1	1
2	Mirror81110-1	1
3	HH-0500-4000-Z	4
4	FW-0500-Z	8
5	NIN-0500-Z	4



SIZE <b>A</b>	DWG. NO. <b>81110-A</b>	REV
SCALE: 1:5	WEIGHT:	SHEET 1 OF 2



VEHICLE FRAME

1

CROSS BAR NOT INCLUDED IN MOUNT KIT

SIZE <b>A</b>	DWG. NO. <b>81110-A</b>	REV
SCALE: 1:1	WEIGHT:	SHEET 2 OF 2

5

4

3

2

1