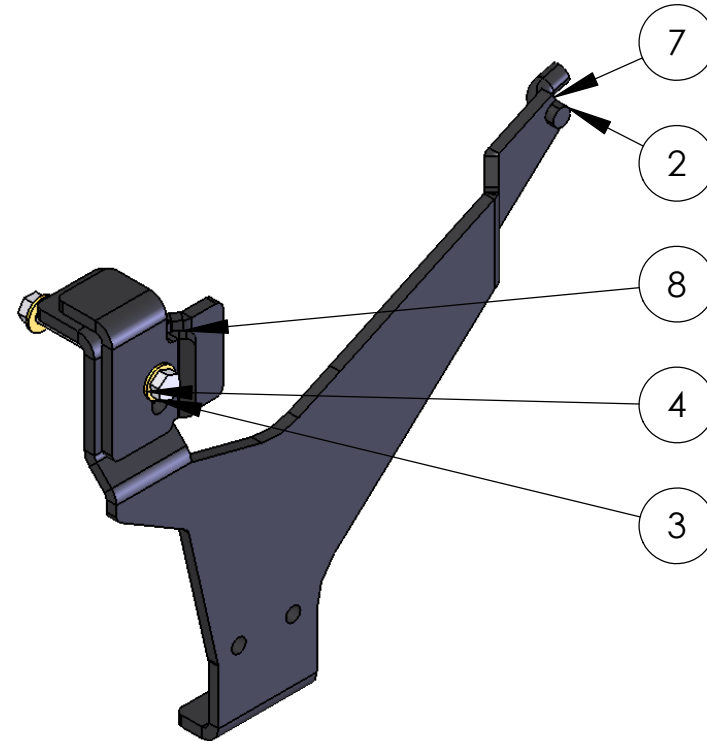
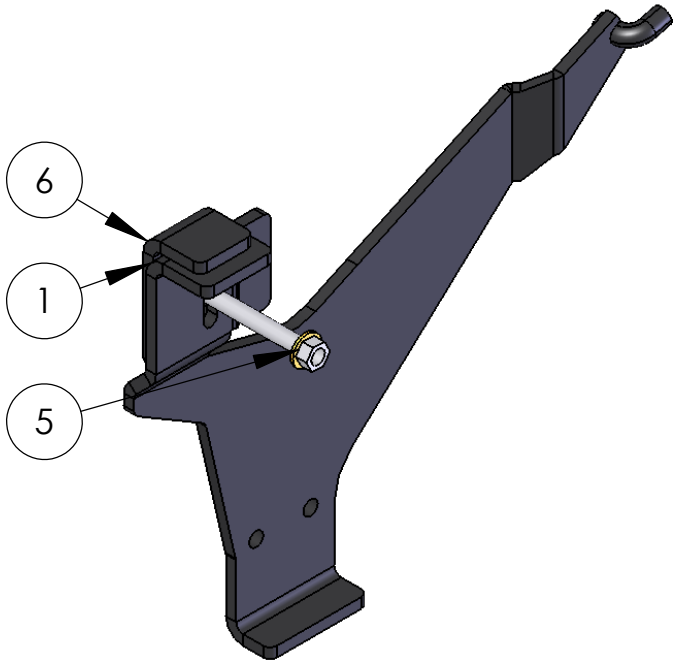


ITEM NO.	PART NUMBER	mount/QTY.
1	81123-1	1
2	81123-2	2
3	HH-0500-4500-Z	2
4	FW-0500-Z	4
5	CLN-0500-Z	2
6	81122-3	1
7	Mirror81123-1	1
8	Mirror81122-3	1



SIZE A	DWG. NO. 81123-A	REV
SCALE: 1:10	WEIGHT:	SHEET 1 OF 2

5

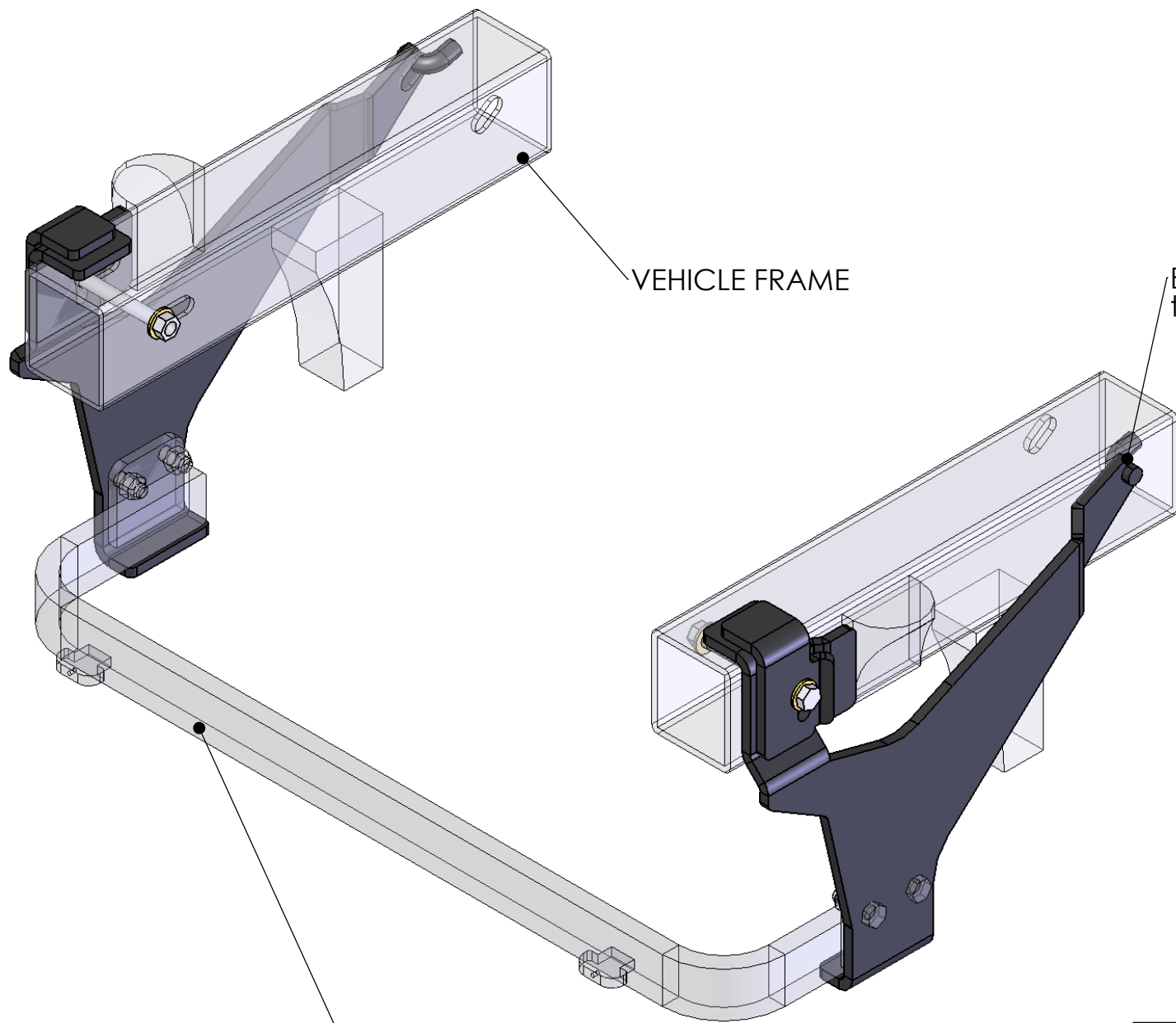
↑

4

3

2

1



VEHICLE FRAME

Back pin hooks into the slotted hole in the frame

CROSS BAR NOT INCLUDED IN MOUNT KIT

SIZE	DWG. NO.	REV
A	81123-A	
SCALE: 1:10	WEIGHT:	SHEET 2 OF 2