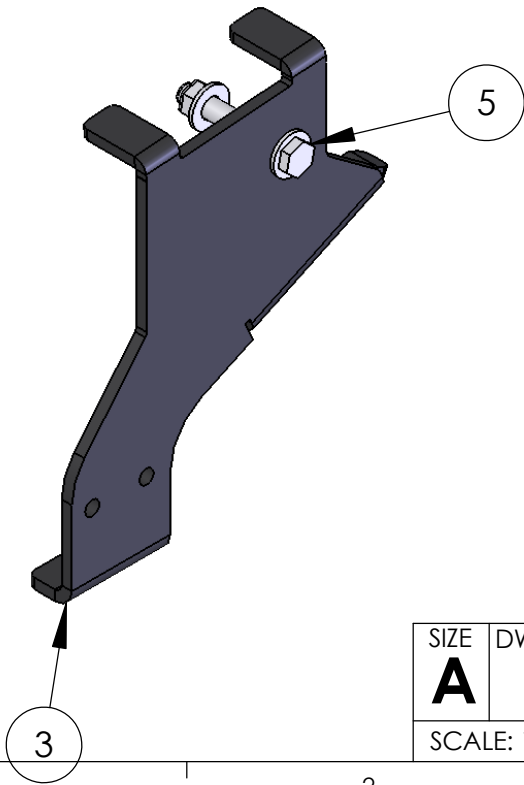
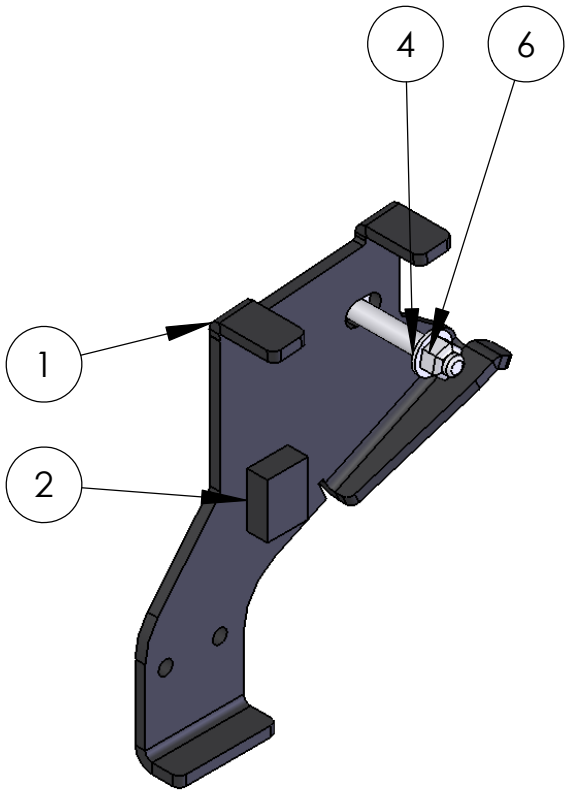
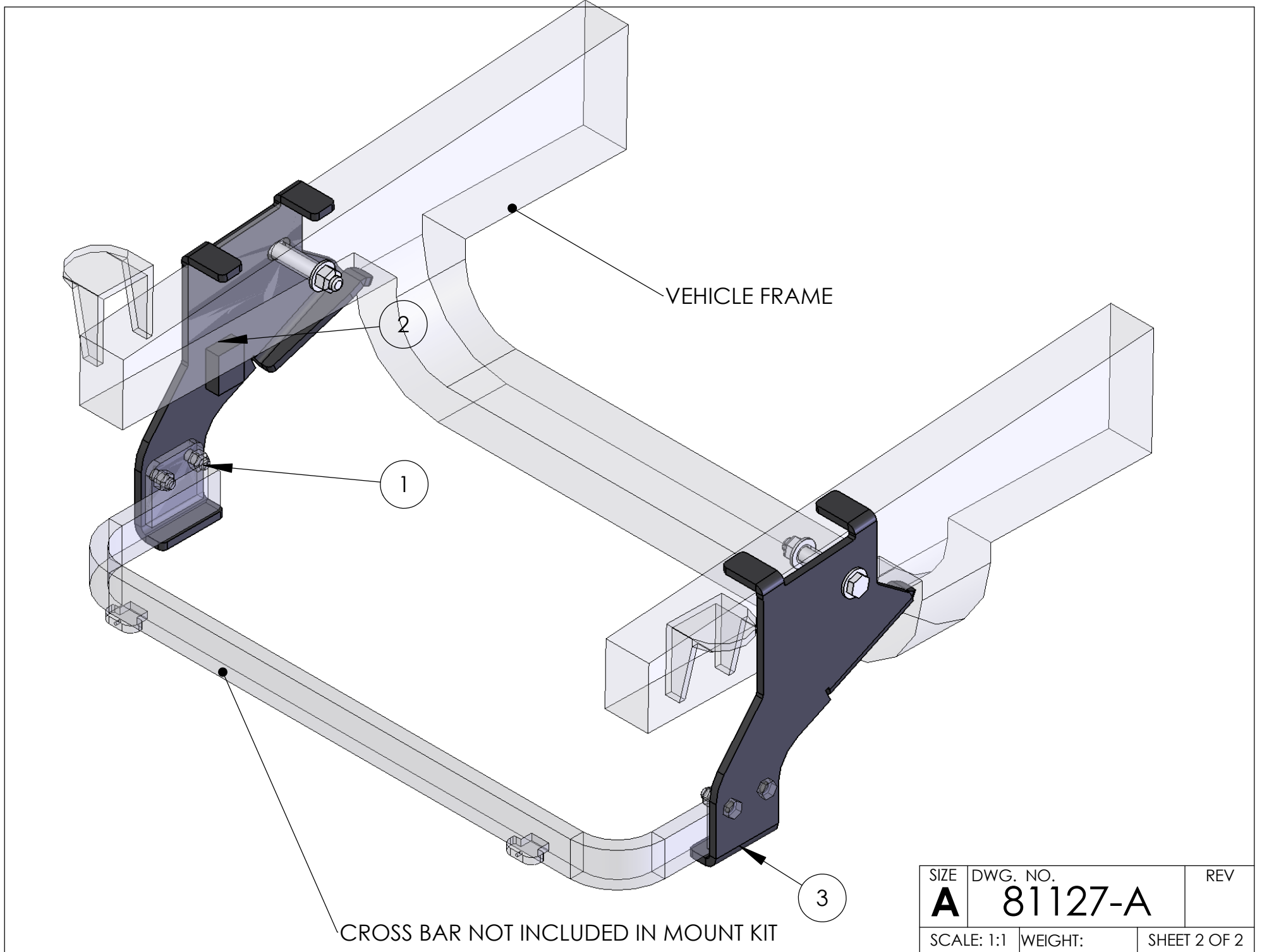


ITEM NO.	PART NUMBER	mount/QTY.
1	81127-1	1
2	81125-2	2
3	Mirror81127-1	1
4	FW-0625-Z	4
5	HH-0625-4000-Z	2
6	NIN-0625-Z	2



SIZE A	DWG. NO. 81127-A	REV
SCALE: 1:1	WEIGHT:	SHEET 1 OF 2

5 4 3 2 1



SIZE	DWG. NO.	REV
A	81127-A	
SCALE: 1:1	WEIGHT:	SHEET 2 OF 2