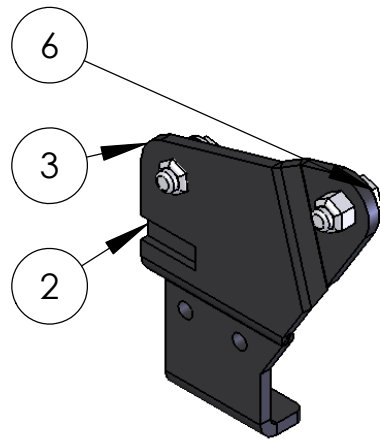
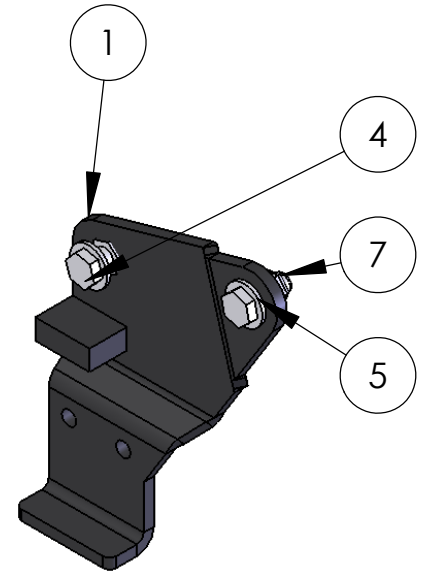
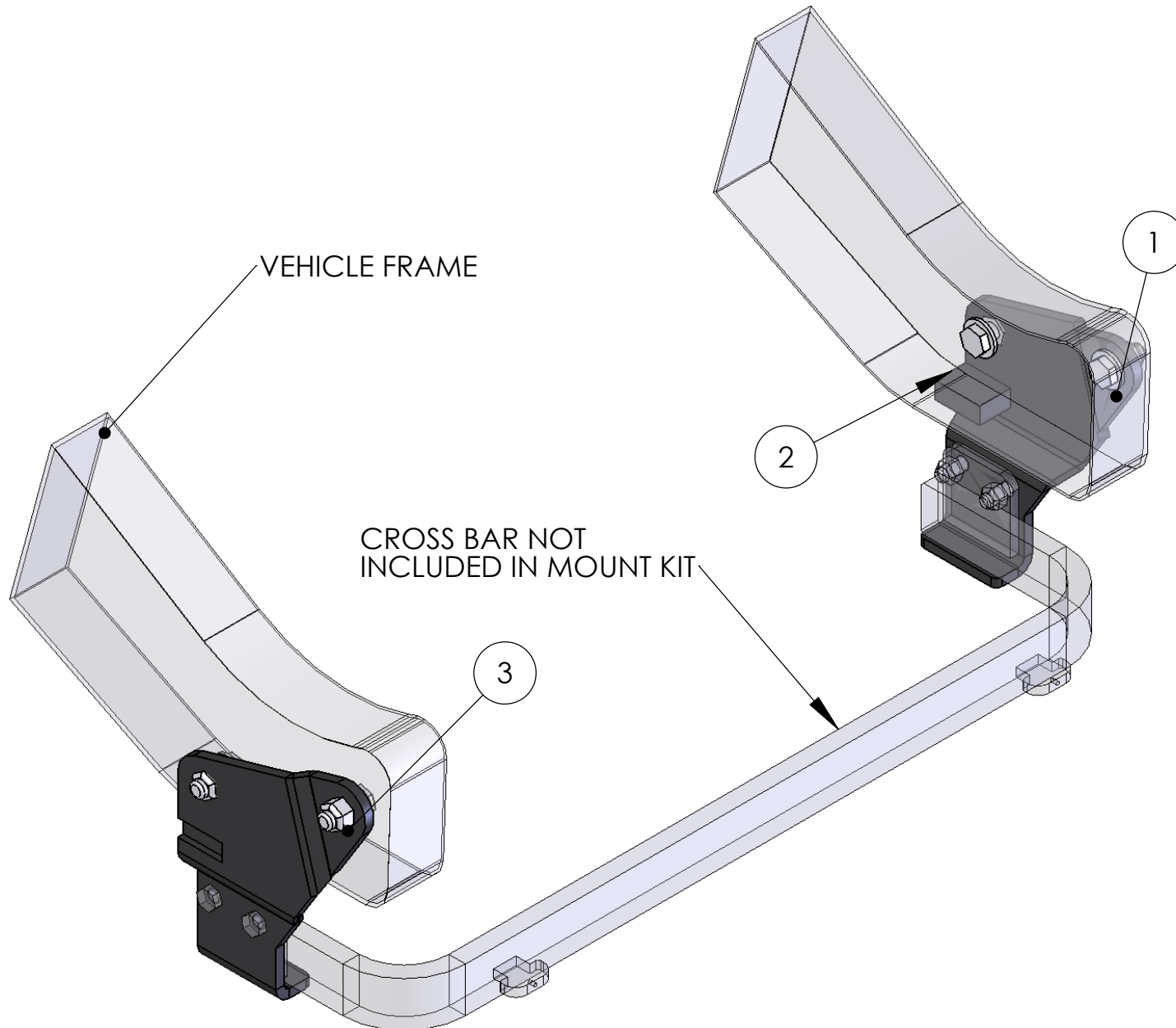


ITEM NO.	PART NUMBER	mount/QTY.
1	81501-1	1
2	81501-2	2
3	Mirror81501-1	1
4	FW-0625-B	1
5	FW-0625-Z	3
6	HH-0625-1500-Z	4
7	NIN-0625-Z	4

MB01 BOX



SIZE A	DWG. NO. 81501-A	REV
SCALE: 1:1	WEIGHT:	SHEET 1 OF 2



SIZE	DWG. NO.	REV
A	81501-A	
SCALE: 1:1	WEIGHT:	SHEET 2 OF 2