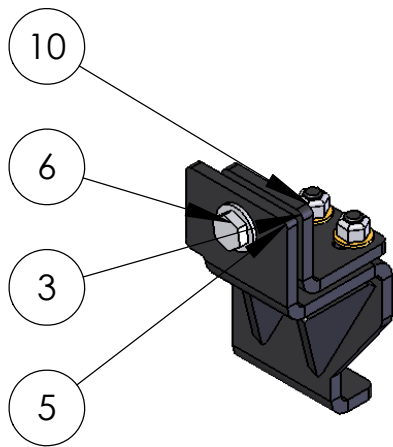
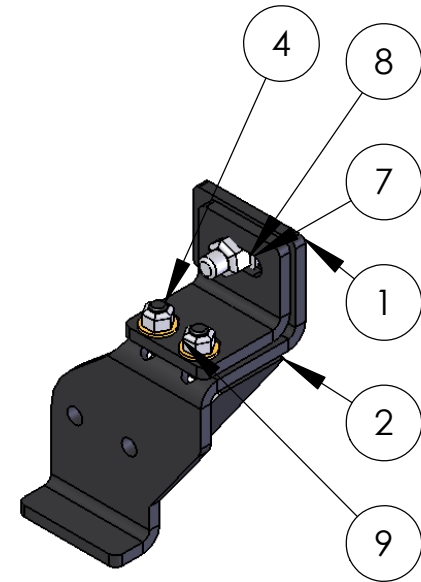
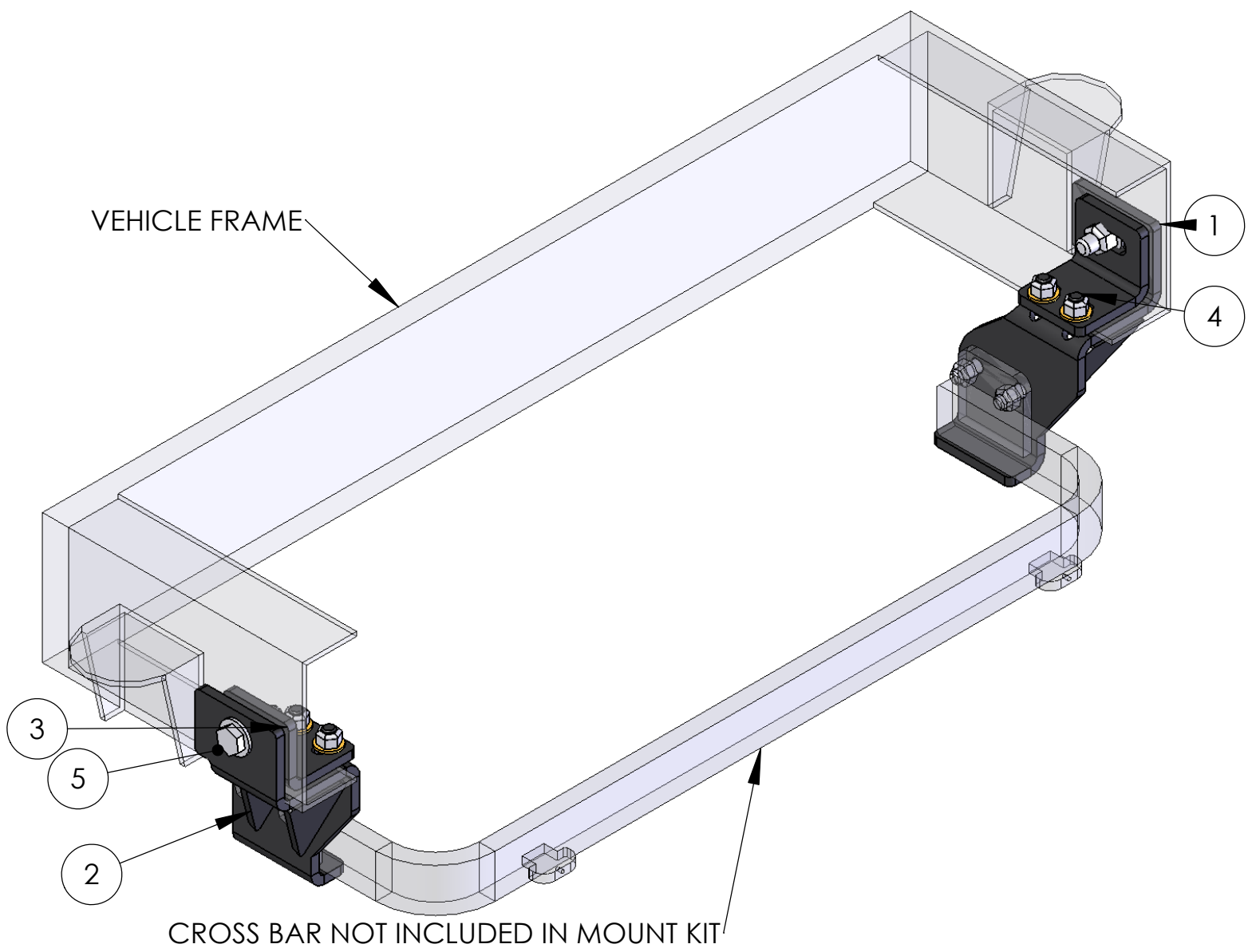


ITEM NO.	PART NUMBER	MOUNT/QTY.
1	81503-1	1
2	81503-2	4
3	81503-3	2
4	TR-0500-1500-B	4
5	Mirror81503-1	1
6	HH-0625-2000-Z	2
7	FW-0625-Z	4
8	NIN-0625-Z	2
9	FW-0500-Z	4
10	NIN-0500-Z	4



SIZE A	DWG. NO. 81503-A	REV
SCALE: 1:1	WEIGHT:	SHEET 1 OF 2



SIZE	DWG. NO.	REV
A	81503-A	
SCALE: 1:1	WEIGHT:	SHEET 2 OF 2