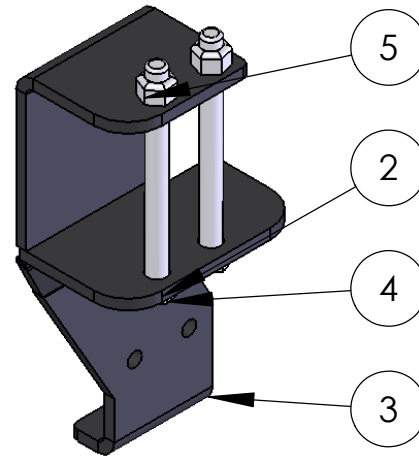


ITEM NO.	PART NUMBER	MOUNT/QTY.
1	81510-1	1
2	81510-2	2
3	Mirror81510-1	1
4	HH-0625-7000-Z	4
5	NIN-0625-Z	4



SIZE A	DWG. NO. 81510-A	REV
SCALE: 1:5	WEIGHT:	SHEET 1 OF 2

5

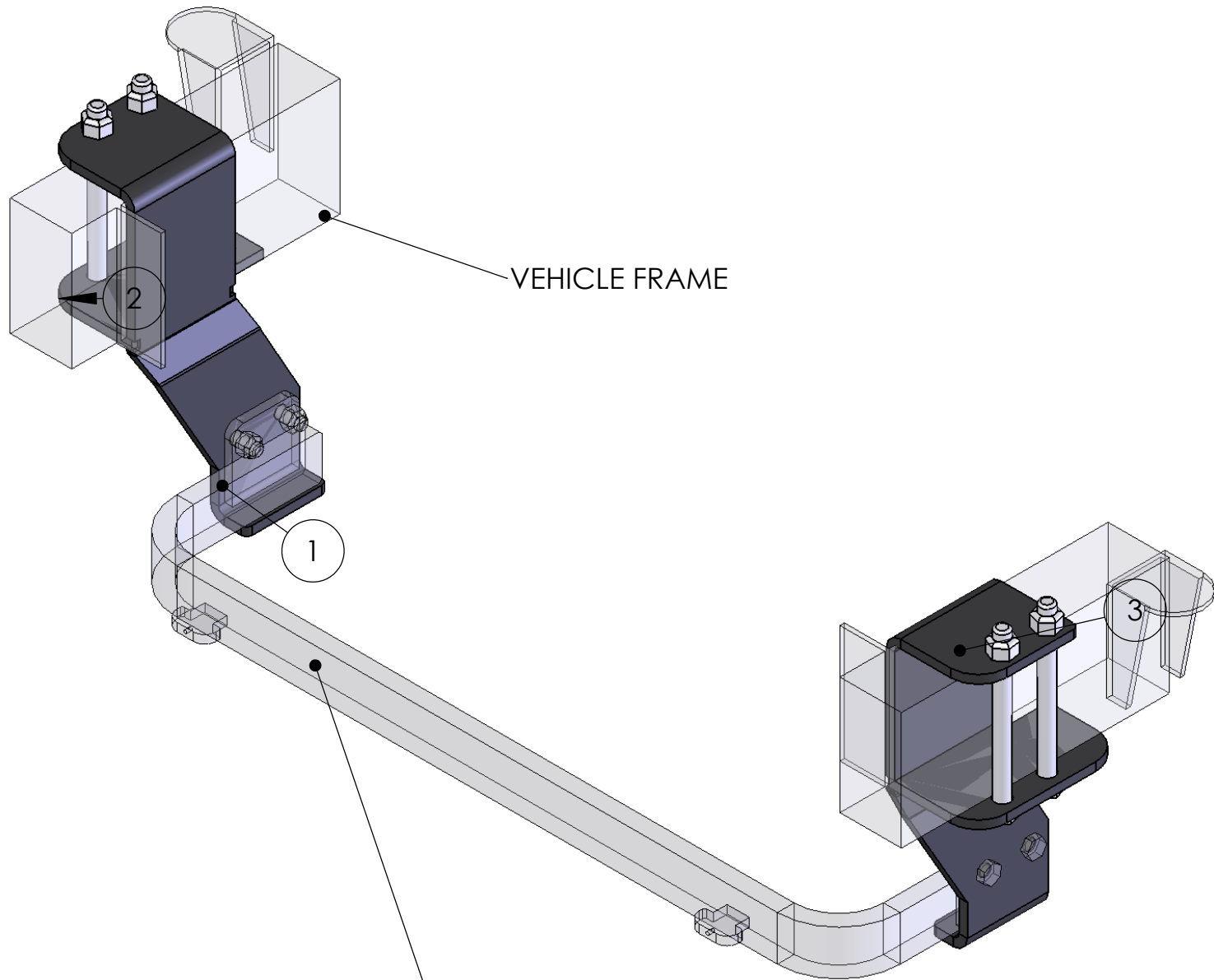
↑

4

3

2

1



VEHICLE FRAME

CROSS BAR NOT INCLUDED IN MOUNT KIT

SIZE	DWG. NO.	REV
A	81510-A	
SCALE: 1:1	WEIGHT:	SHEET 2 OF 2