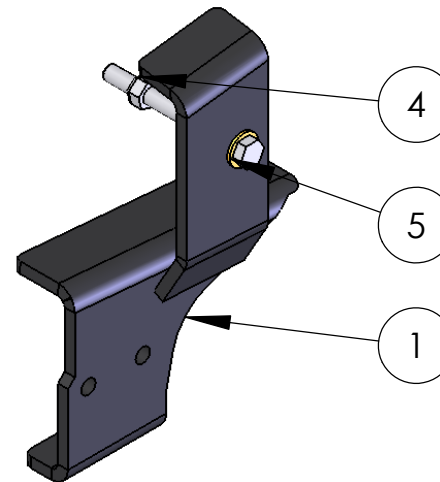
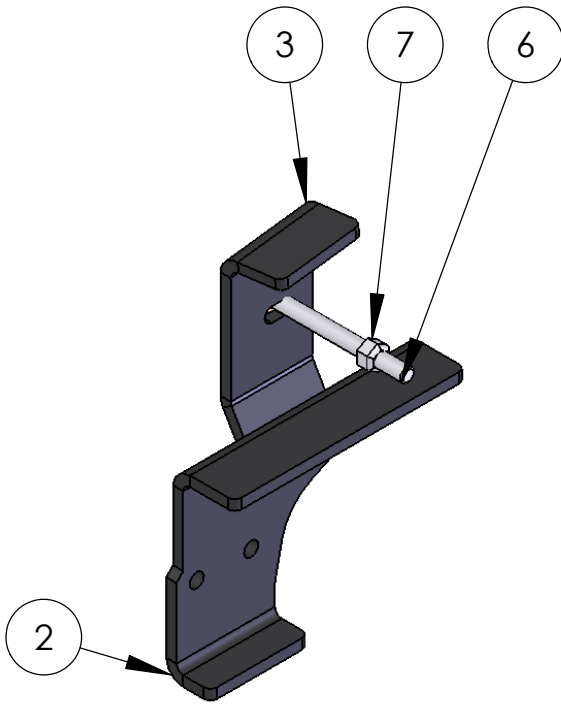


ITEM NO.	PART NUMBER	MOUNT/QTY.
1	81511-1	1
2	81511-3	1
3	81511-2	1
4	81511-4	1
5	FW-0500-Z	2
6	HH-0500-5000-Z	2
7	NIN-0500-Z	2



SIZE A	DWG. NO. 81511-A	REV
SCALE: 1:1	WEIGHT:	SHEET 1 OF 2

5

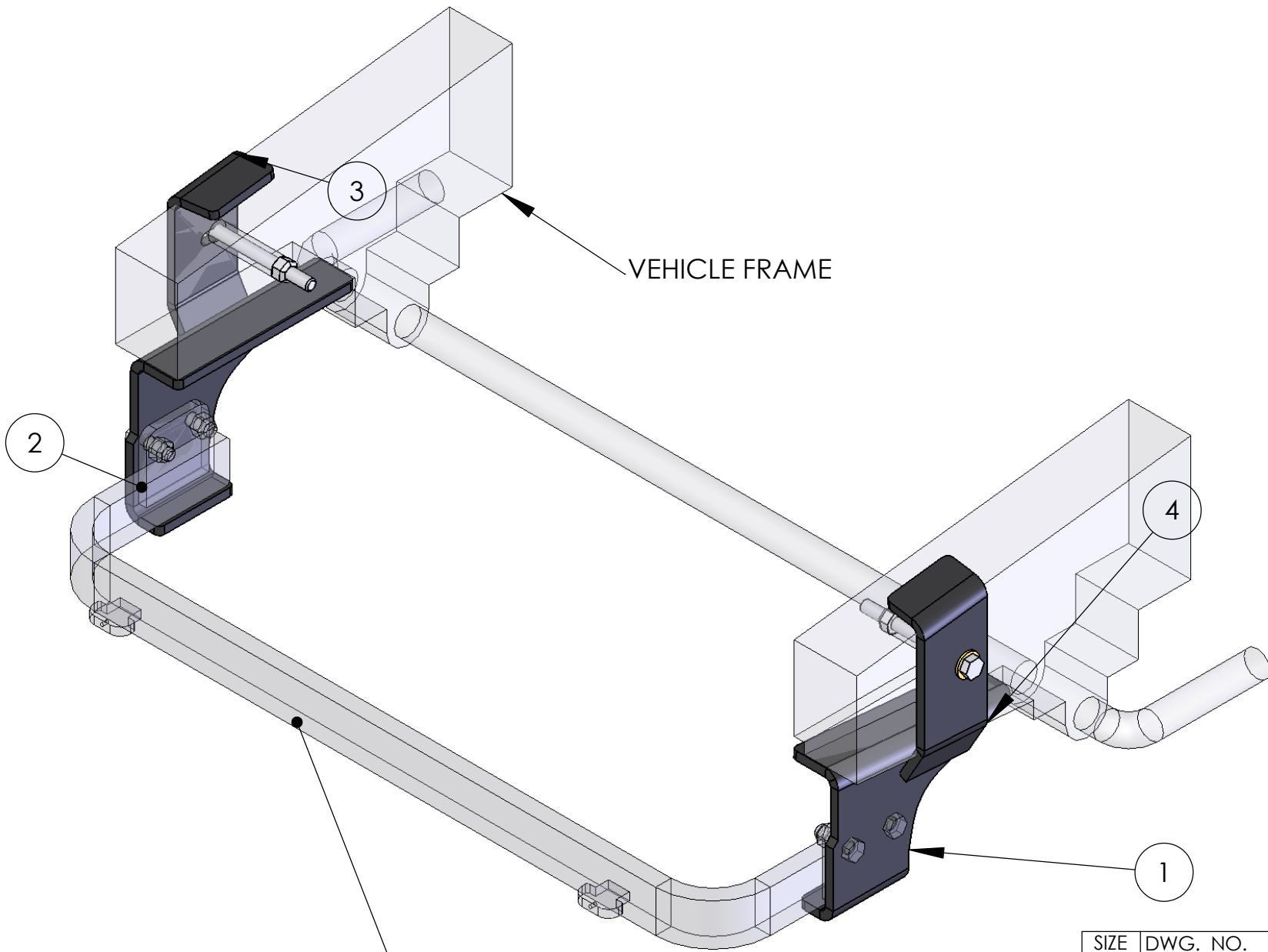
↑

4

3

2

1



VEHICLE FRAME

2

3

4

1

CROSS BAR NOT INCLUDED IN MOUNT KIT

SIZE	DWG. NO.	REV
A	81511-A	
SCALE: 1:1	WEIGHT:	SHEET 2 OF 2

5

↑

4

3

2

1