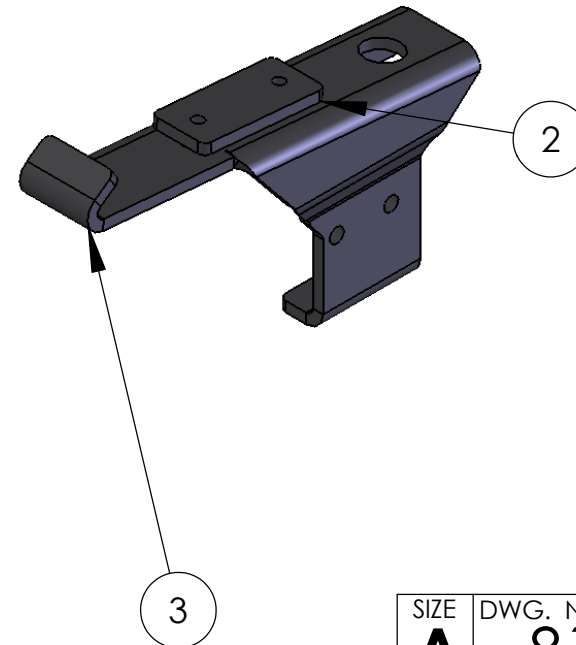
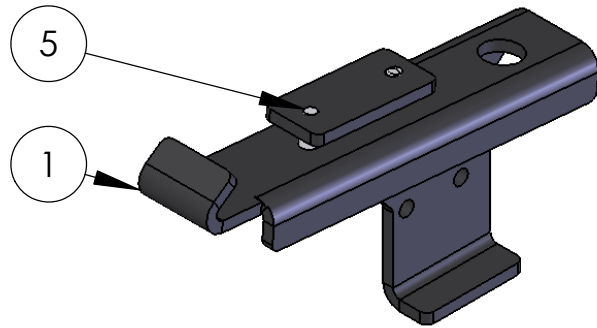


ITEM NO.	PART NUMBER	MOUNT/QTY.
1	81512-1	1
2	81512-3	2
3	Mirror81512-1	1
4	FW-0500-Z	4
5	HH-0500-1500-Z	4



SIZE A	DWG. NO. 81512-A	REV
SCALE: 1:5	WEIGHT:	SHEET 1 OF 2

5

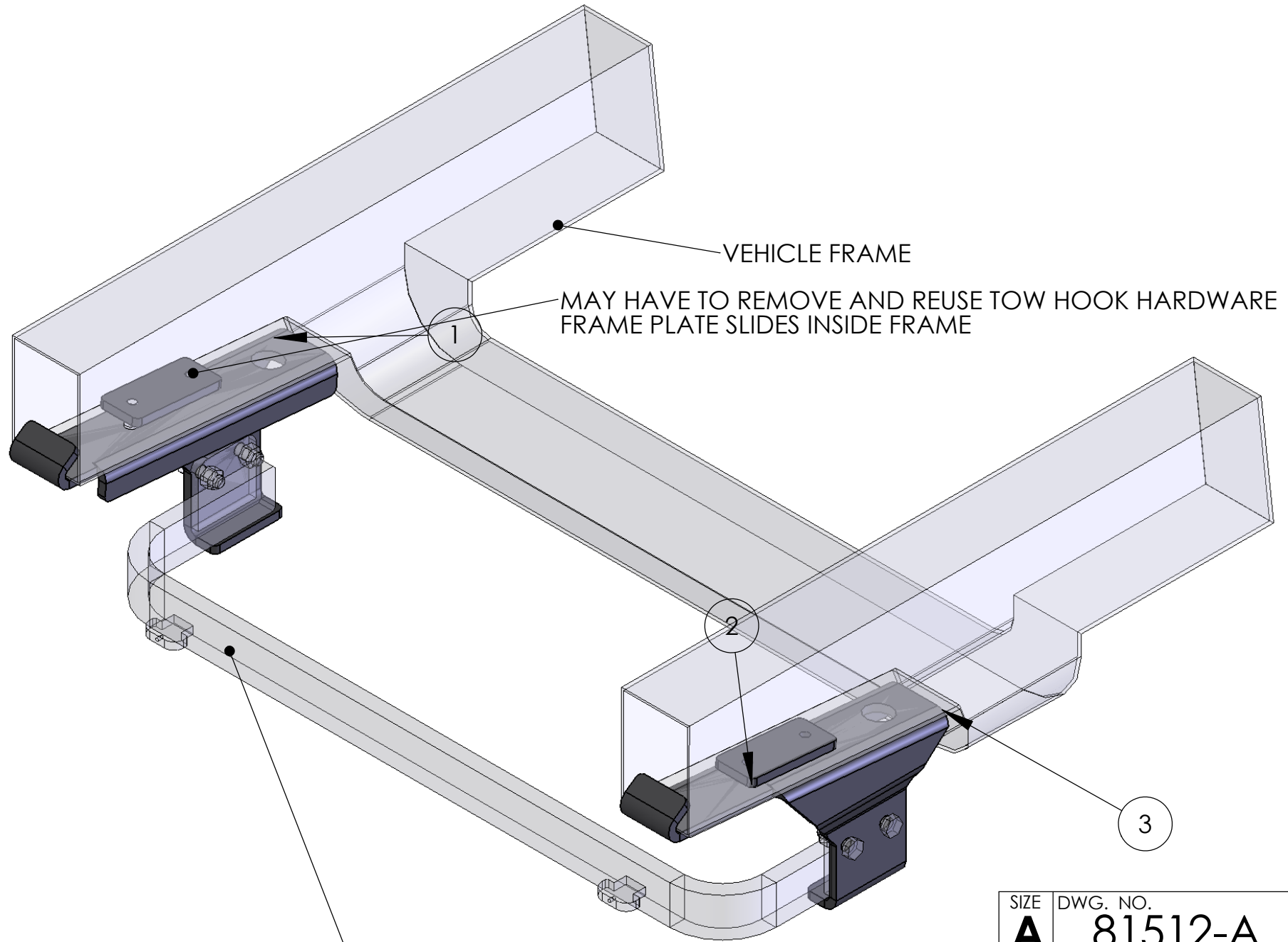
↑

4

3

2

1



VEHICLE FRAME

MAY HAVE TO REMOVE AND REUSE TOW HOOK HARDWARE
FRAME PLATE SLIDES INSIDE FRAME

1

2

3

CROSS BAR NOT INCLUDED IN MOIUNT KIT

SIZE A	DWG. NO. 81512-A	REV
SCALE: 1:1	WEIGHT:	SHEET 2 OF 2

5

↑

4

3

2

1