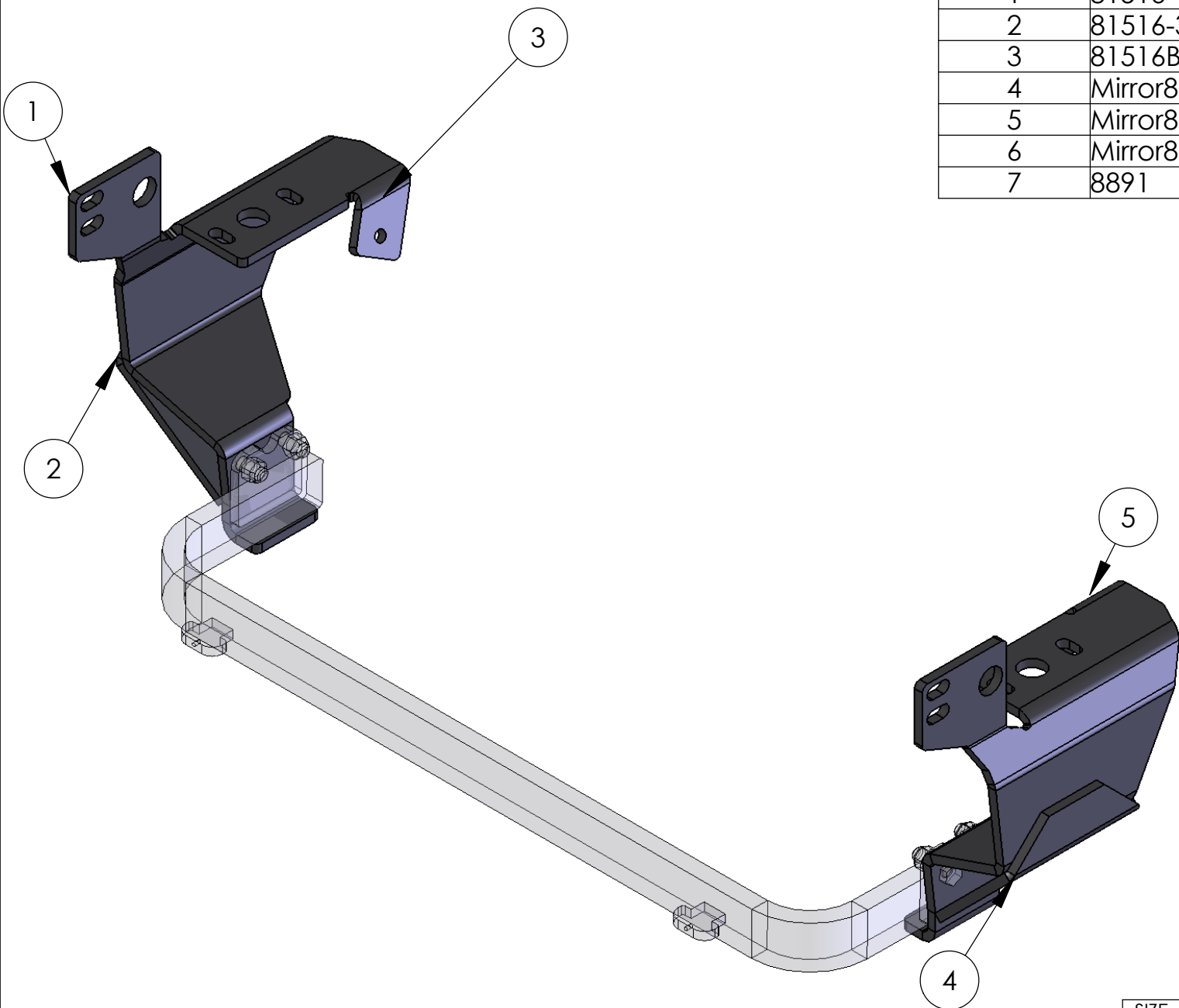
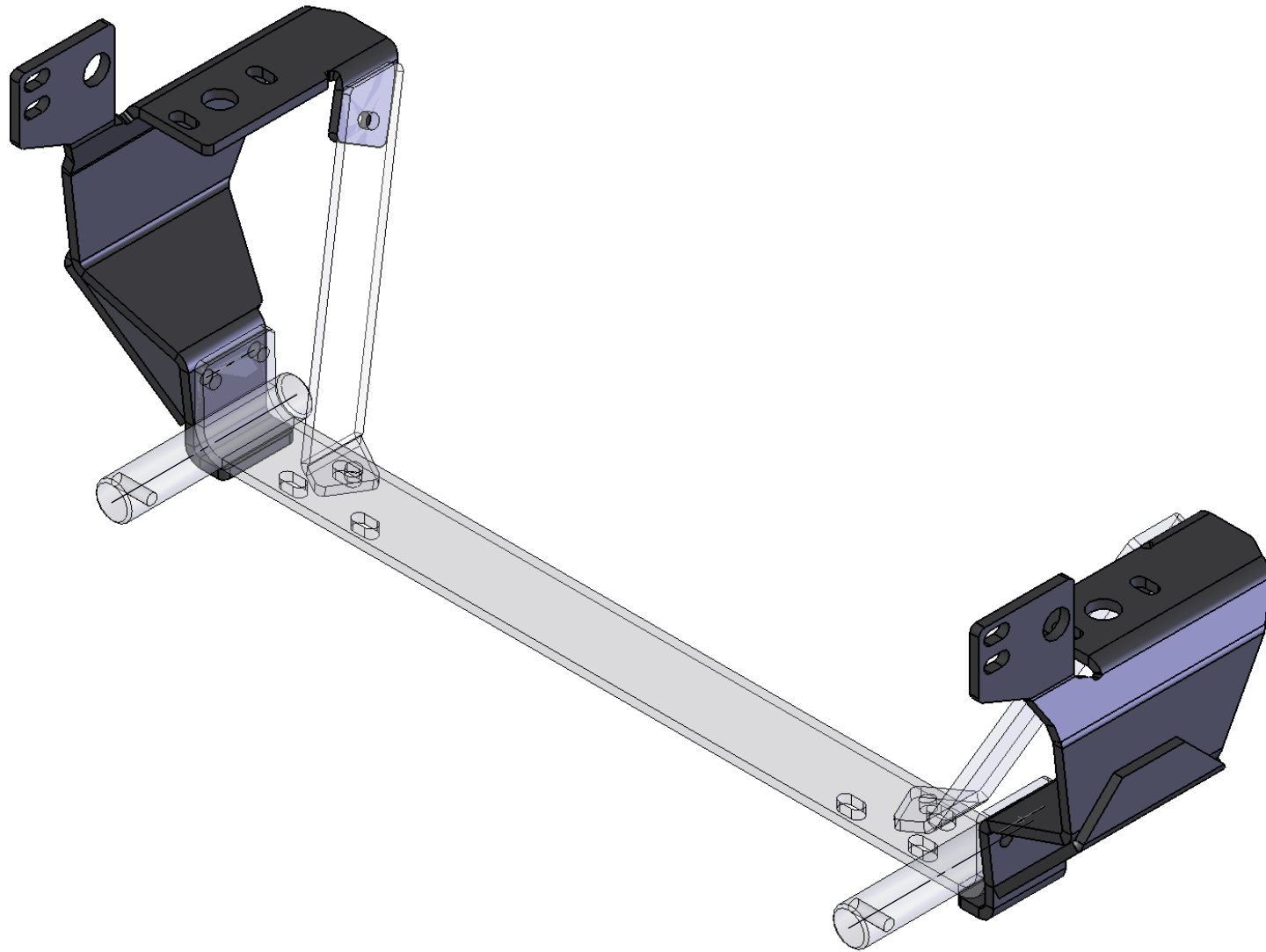


ITEM NO.	PART NUMBER	Default/QTY.
1	81516-1	1
2	81516-3	1
3	81516B-1	1
4	Mirror81516-3	1
5	Mirror81516B-1	1
6	Mirror81516-1	1
7	8891	1



SIZE <b>A</b>	DWG. NO. <b>81516-A</b>	REV
SCALE: 1:1	WEIGHT:	SHEET 1 OF 2

5      4      3      2      1



SIZE	DWG. NO.	REV
<b>A</b>	<b>81516-A</b>	
SCALE: 1:1	WEIGHT:	SHEET 2 OF 2

5



4

3

2

1