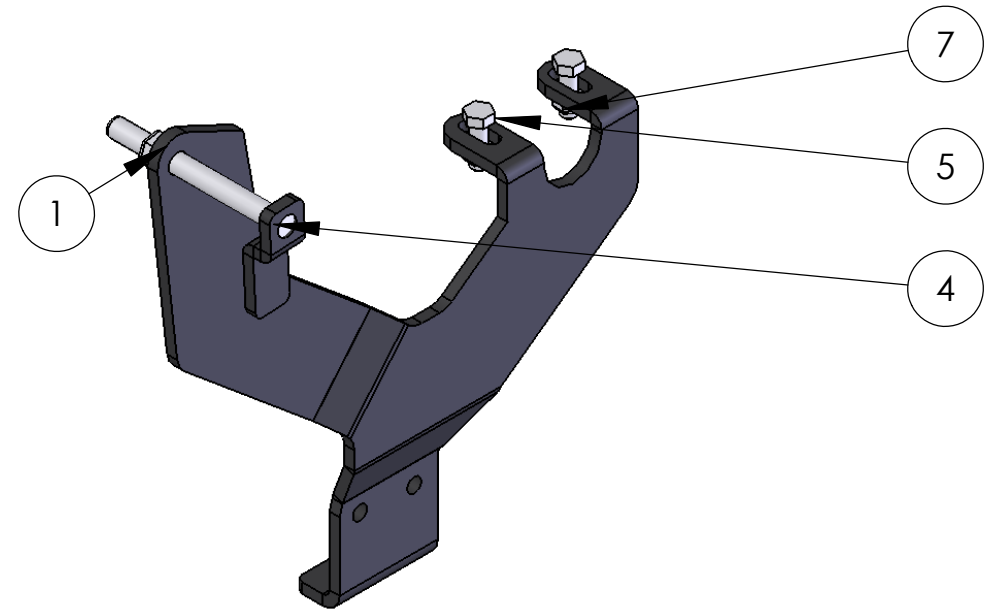


ITEM NO.	PART NUMBER	MOUNT/QTY.
1	81518-1	1
2	81518-2	2
3	Mirror81518-1	1
4	HH-0625-6000-Z	2
5	HH-0500-1500-Z	4
6	NIN-0625-Z	2
7	NIN-0500-Z	4



5



4

3

2

1

SIZE A	DWG. NO. 81518-A	REV
SCALE: 1:1	WEIGHT:	SHEET 1 OF 2

