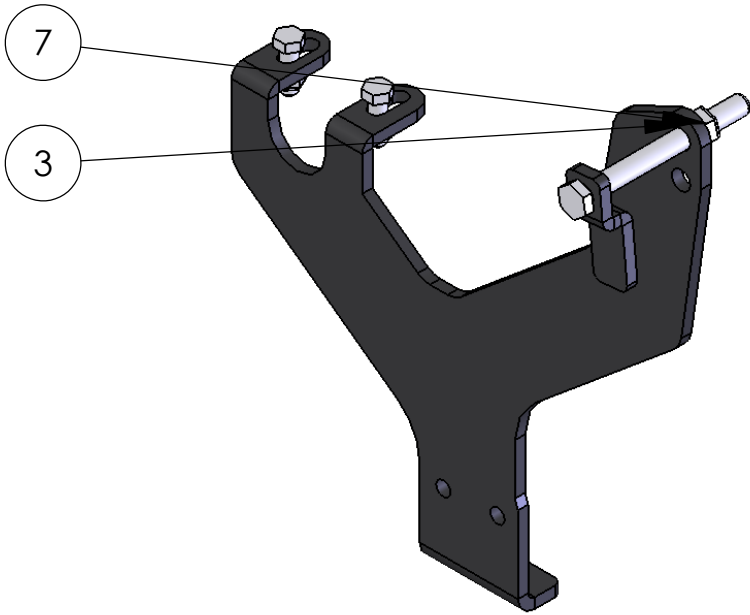
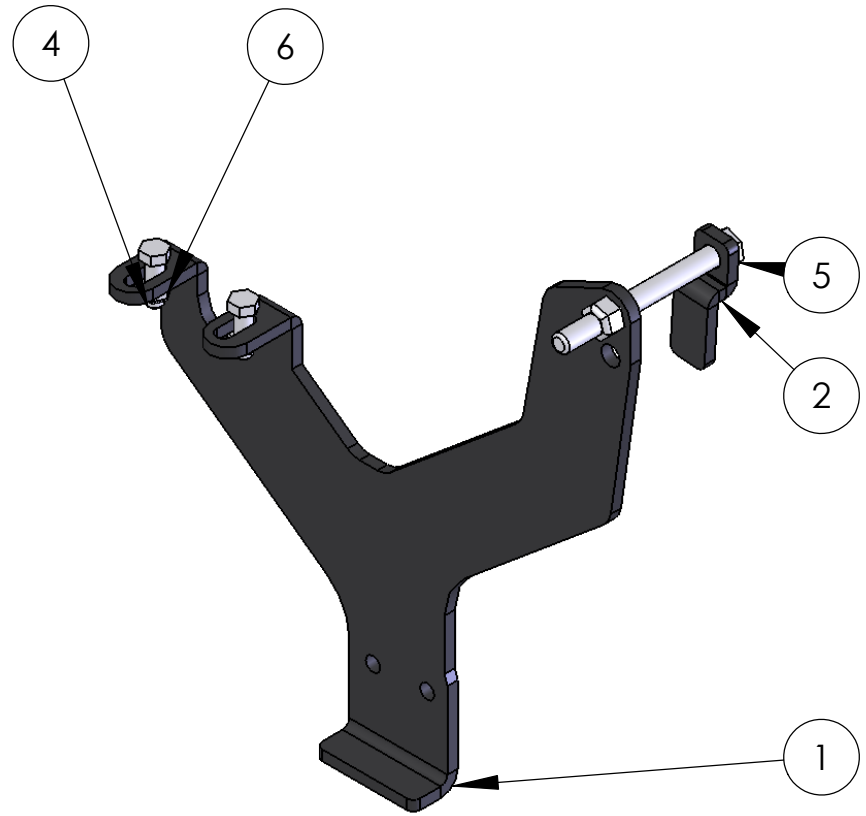


ITEM NO.	PART NUMBER	MOUNT/QTY.
1	81519-1	1
2	81518-2	2
3	Mirror81519-1	1
4	HH-0500-1500-Z	4
5	HH-0625-6000-Z	2
6	NIN-0500-Z	4
7	NIN-0625-Z	2



SIZE A	DWG. NO. 81519-A	REV
SCALE: 1:1	WEIGHT:	SHEET 1 OF 2

5

↑

4

3

2

1

VEHICLE FRAME

REMOVE SWAY BAR BOLTS AND
USE HARDWARE PROVIDED

TAB FITS INSIDE HOLE OF FRAME

CROSS BAR NOT INCLUDED IN MOUNT KIT

SIZE	DWG. NO.	REV
A	81519-A	
SCALE: 1:1	WEIGHT:	SHEET 2 OF 2

5

4

4

3

2

1