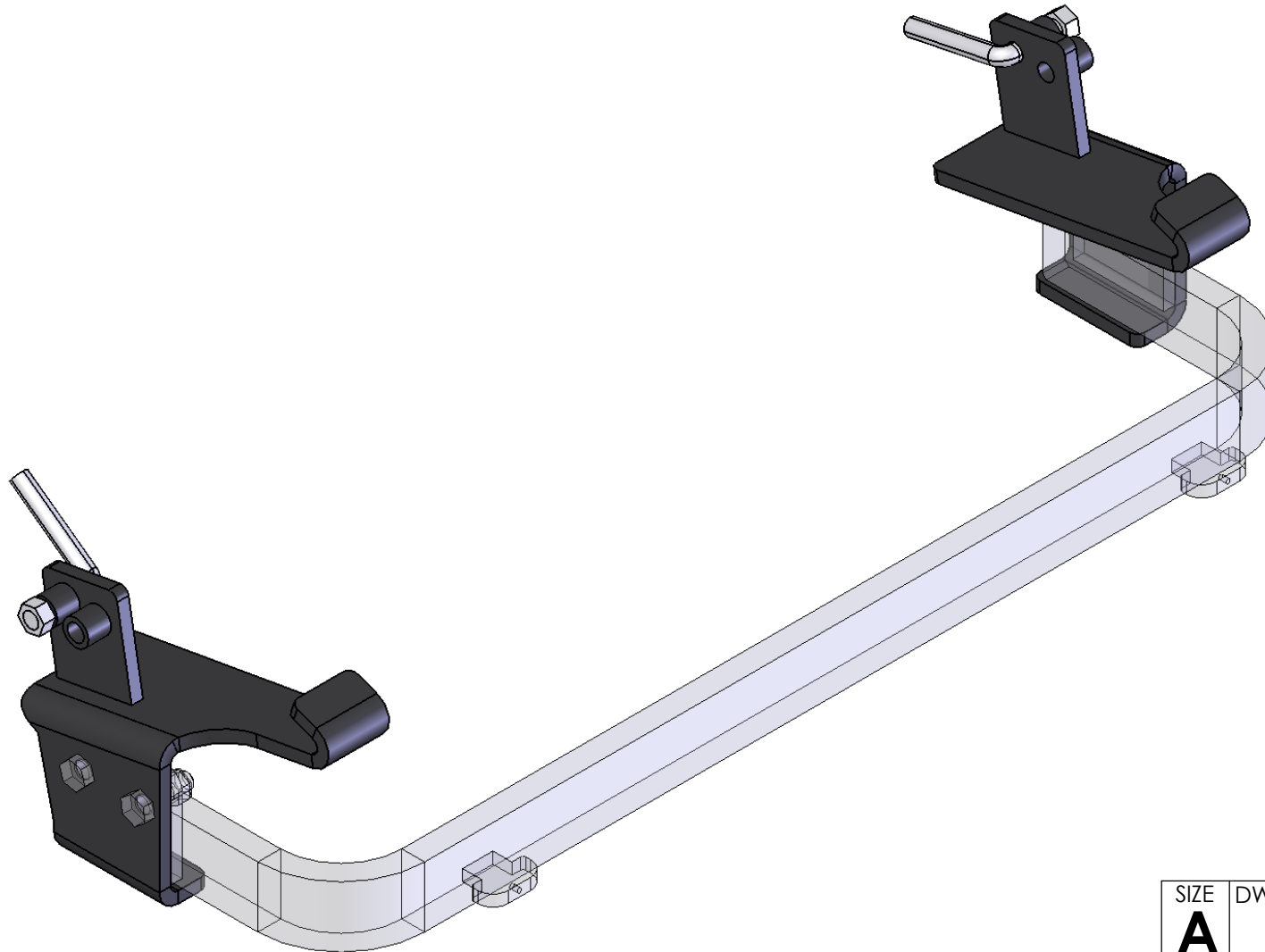


ITEM NO.	PART NUMBER	Default/QTY.
1	82602-1	1
2	82602-2	2
3	82602-3	4
4	Mirror82602-1	1
5	8891	1
6	LB-0500-2000-3000-Z	2
7	CLN-0500-Z	2



SIZE	DWG. NO.	REV
A	82602-A	
SCALE: 1:1	WEIGHT:	SHEET 1 OF 2

5

↑

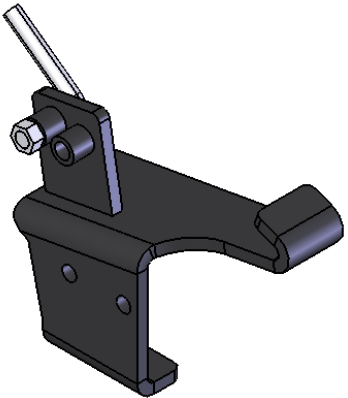
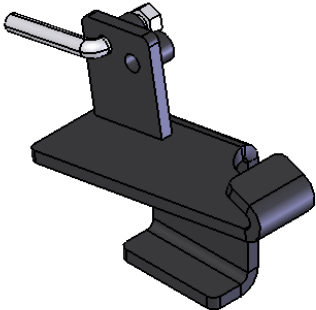
4

3

2

1

ITEM NO.	PART NUMBER	mount/QTY.
1	82602-1	1
2	82602-2	2
3	82602-3	4
4	Mirror82602-1	1
5	LB-0500-2000-3000-Z	2
6	CLN-0500-Z	2



SIZE A	DWG. NO. 82602-A	REV
SCALE: 1:1	WEIGHT:	SHEET 2 OF 2