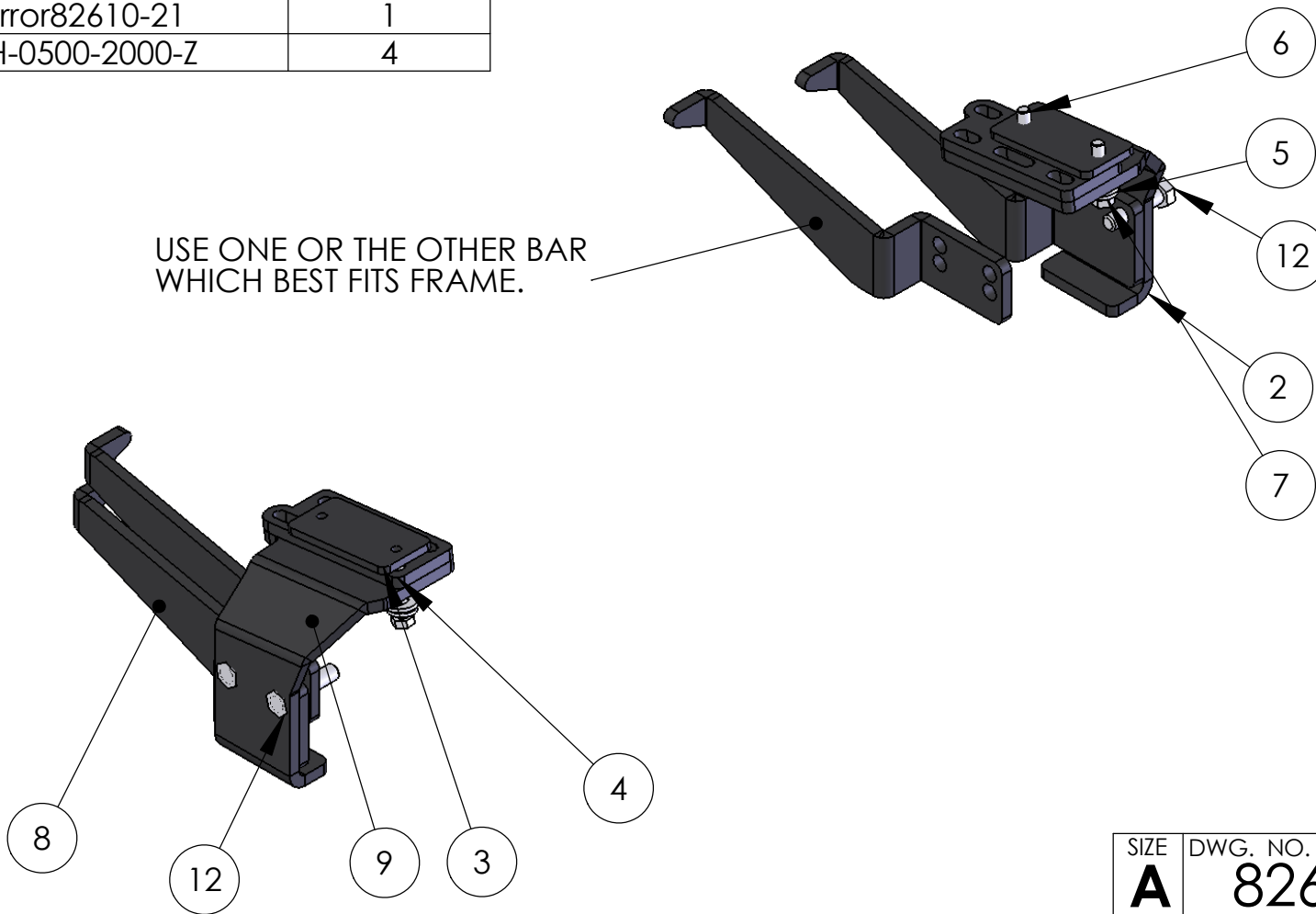


ITEM NO.	PART NUMBER	MOUNT/QTY.
1	82610-2	1
2	82610-1	1
3	82610-3	2
4	82610-4	2
5	FW-0375-Z	4
6	HH-0375-1750-Z	4
7	LW-0375-Z	4
8	Mirror82610-2	1
9	Mirror82610-1	1
10	82610-2	1
11	Mirror82610-21	1
12	HH-0500-2000-Z	4

USE ONE OR THE OTHER BAR WHICH BEST FITS FRAME.



SIZE <b>A</b>	DWG. NO. <b>82610-A</b>	REV
SCALE: 1:1	WEIGHT:	SHEET 1 OF 2

5

↑

4

3

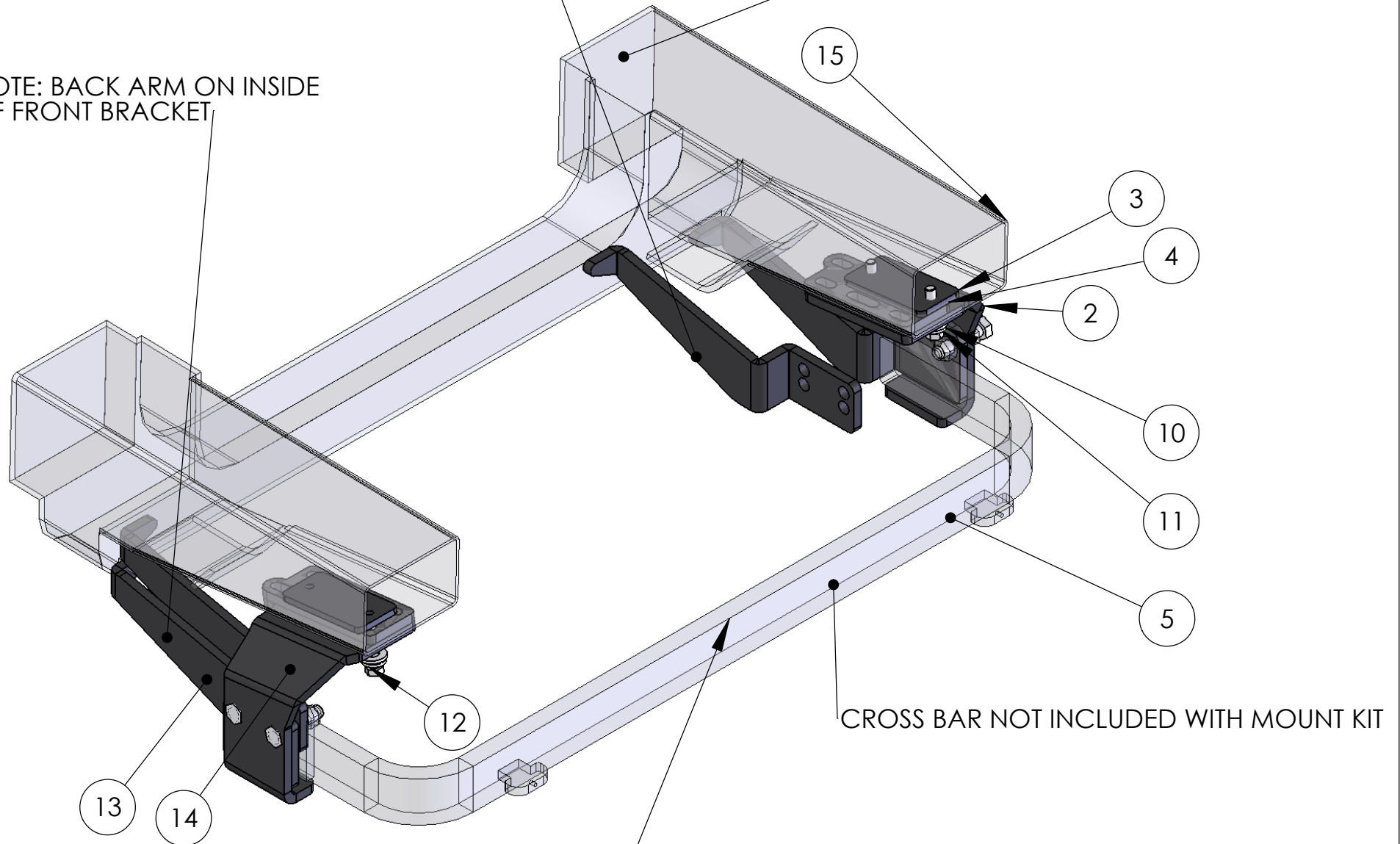
2

1

USE THE BACK BAR THAT BEST SUITS VEHICLE  
IT IS TO FIT INSIDE THE SWAY BAR MOUNT AND PUSH  
AGAINST THE CROSS FRAME AND MAIN FRAME

VEHICLE FRAME

NOTE: BACK ARM ON INSIDE  
OF FRONT BRACKET



CROSS BAR NOT INCLUDED WITH MOUNT KIT

THE CROSS SHOULD FIT AS CLOSE AS POSSIBLE  
TO THE FRONT BUMPER AND OR AIR DEFLECTOR

SIZE <b>A</b>	DWG. NO. <b>82610-A</b>	REV
SCALE: 1:1	WEIGHT:	SHEET 2 OF 2

5

↑

4

3

2

1