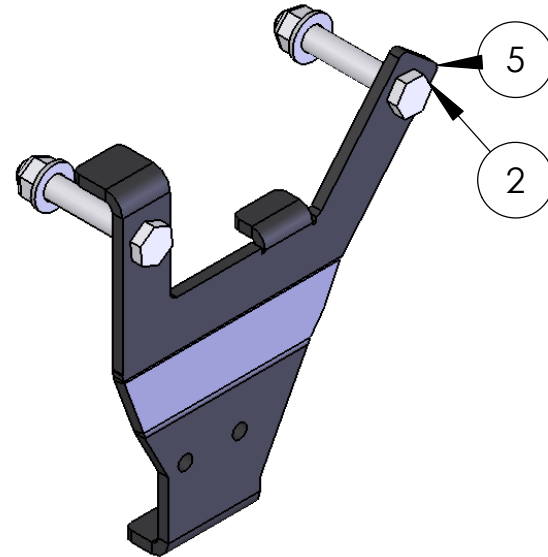
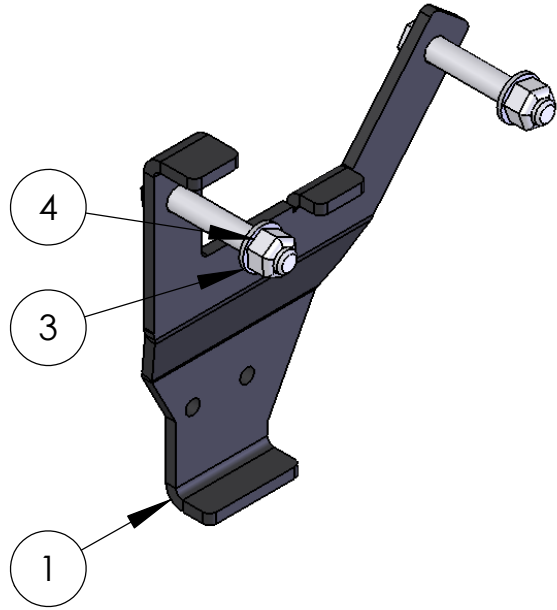


ITEM NO.	PART NUMBER	MOUNT/QTY.
1	82612-1	1
2	HH-0750-4000-Z	4
3	FW 0.75	4
4	NIN-0750-Z	4
5	Mirror82612-1	1



SIZE A	DWG. NO. 82612-A	REV
SCALE: 1:5	WEIGHT:	SHEET 1 OF 2

5

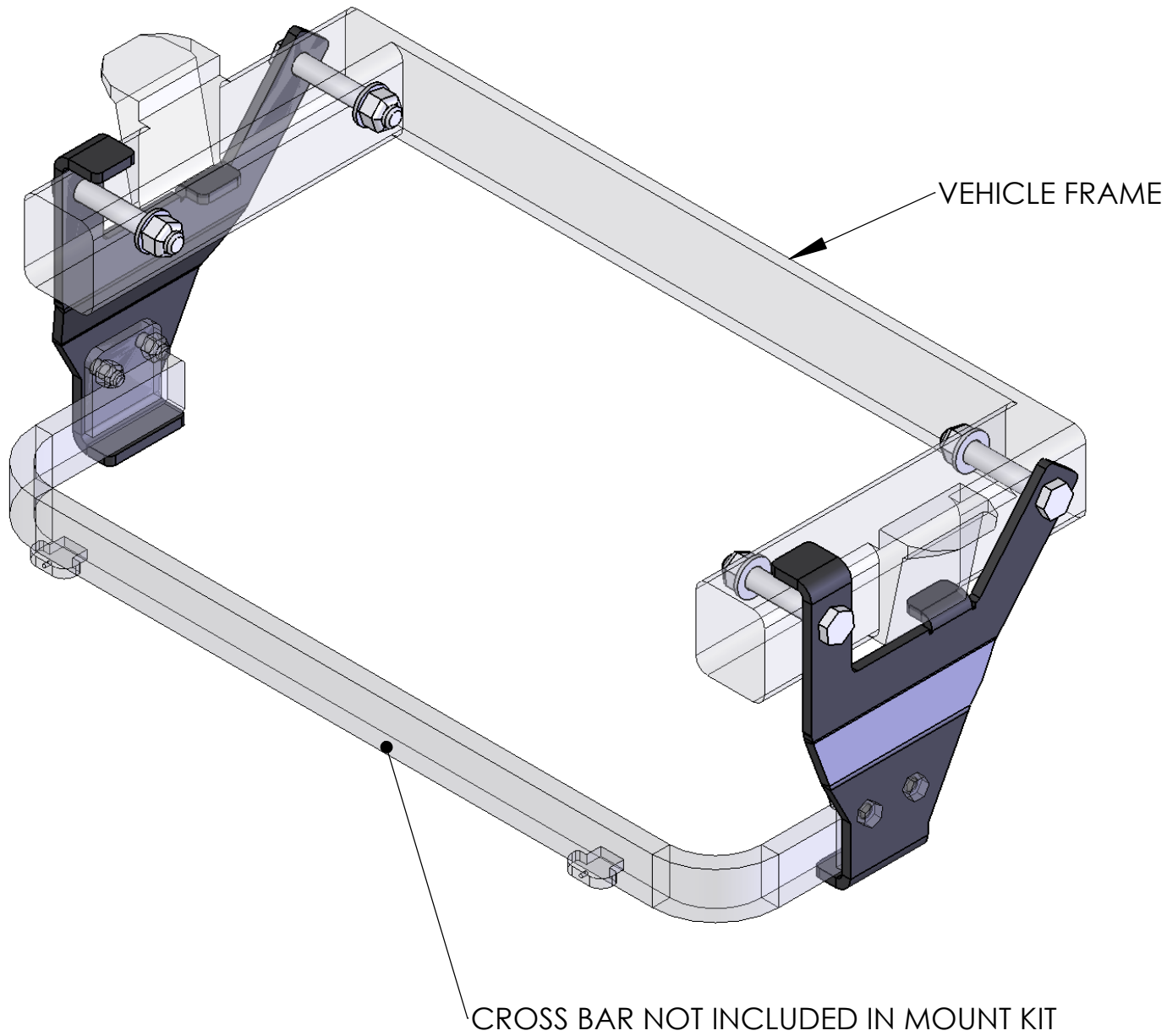
↑

4

3

2

1



SIZE	DWG. NO.	REV
A	82612-A	
SCALE: 1:1	WEIGHT:	SHEET 2 OF 2