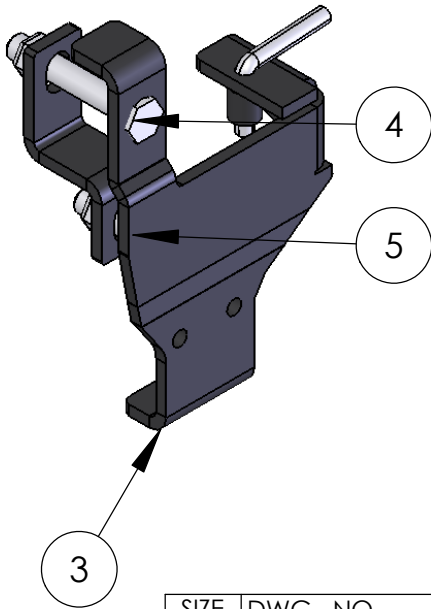
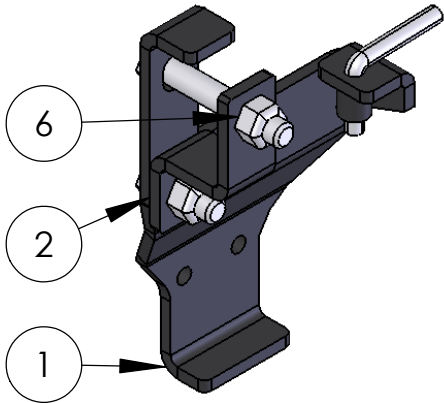
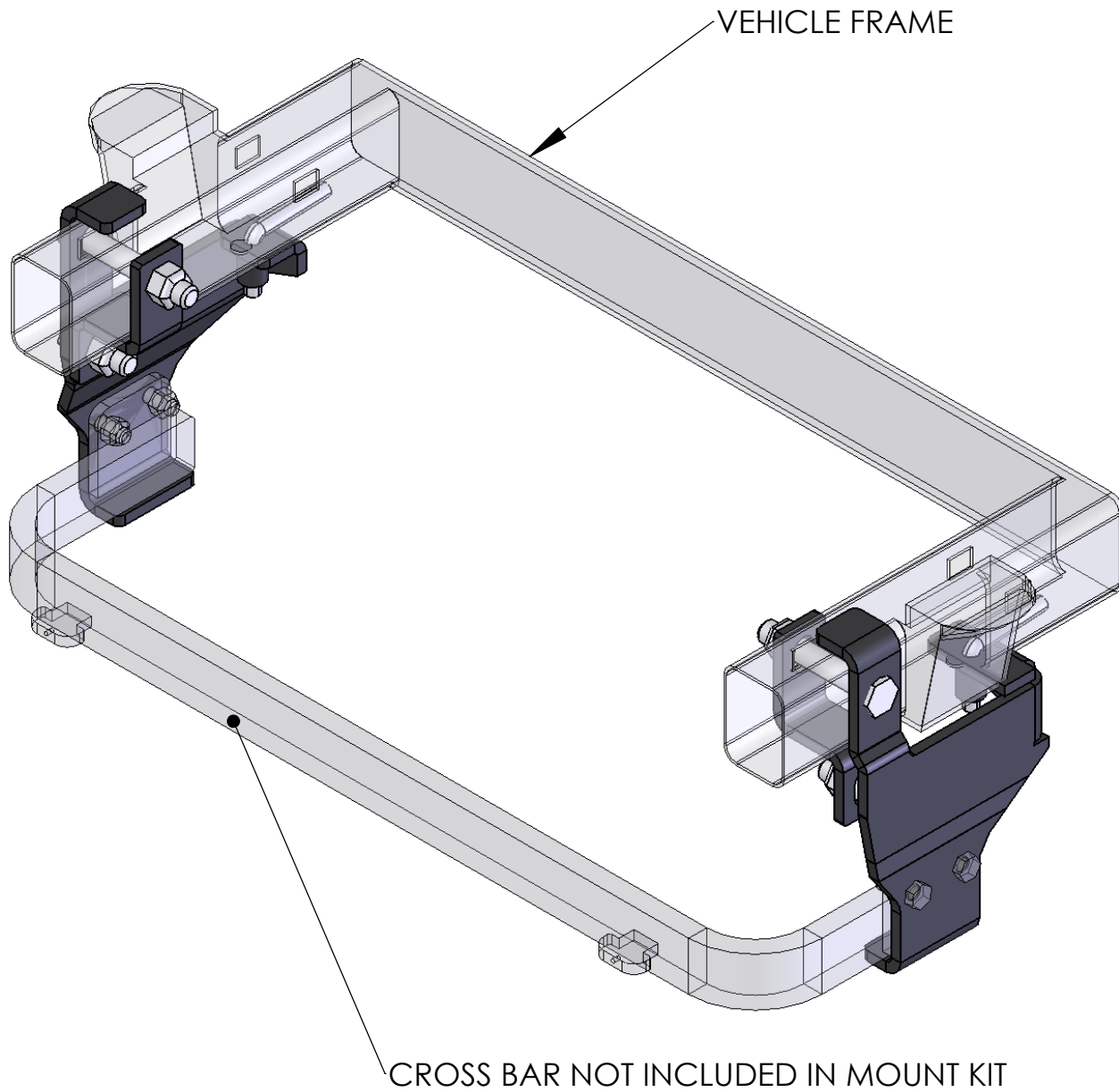


ITEM NO.	PART NUMBER	mount/QTY.
1	82615-1	1
2	82615-2	2
3	Mirror82615-1	1
4	HH-0750-4000-Z	2
5	HH-0750-1500-Z	2
6	NIN-0750-Z	4
7	82615-3	2
8	LB-0500-2000-3000-Z	2



SIZE A	DWG. NO. 82615-A	REV
SCALE: 1:1	WEIGHT:	SHEET 1 OF 2



SIZE	DWG. NO.	REV
A	82615-A	
SCALE: 1:1	WEIGHT:	SHEET 2 OF 2