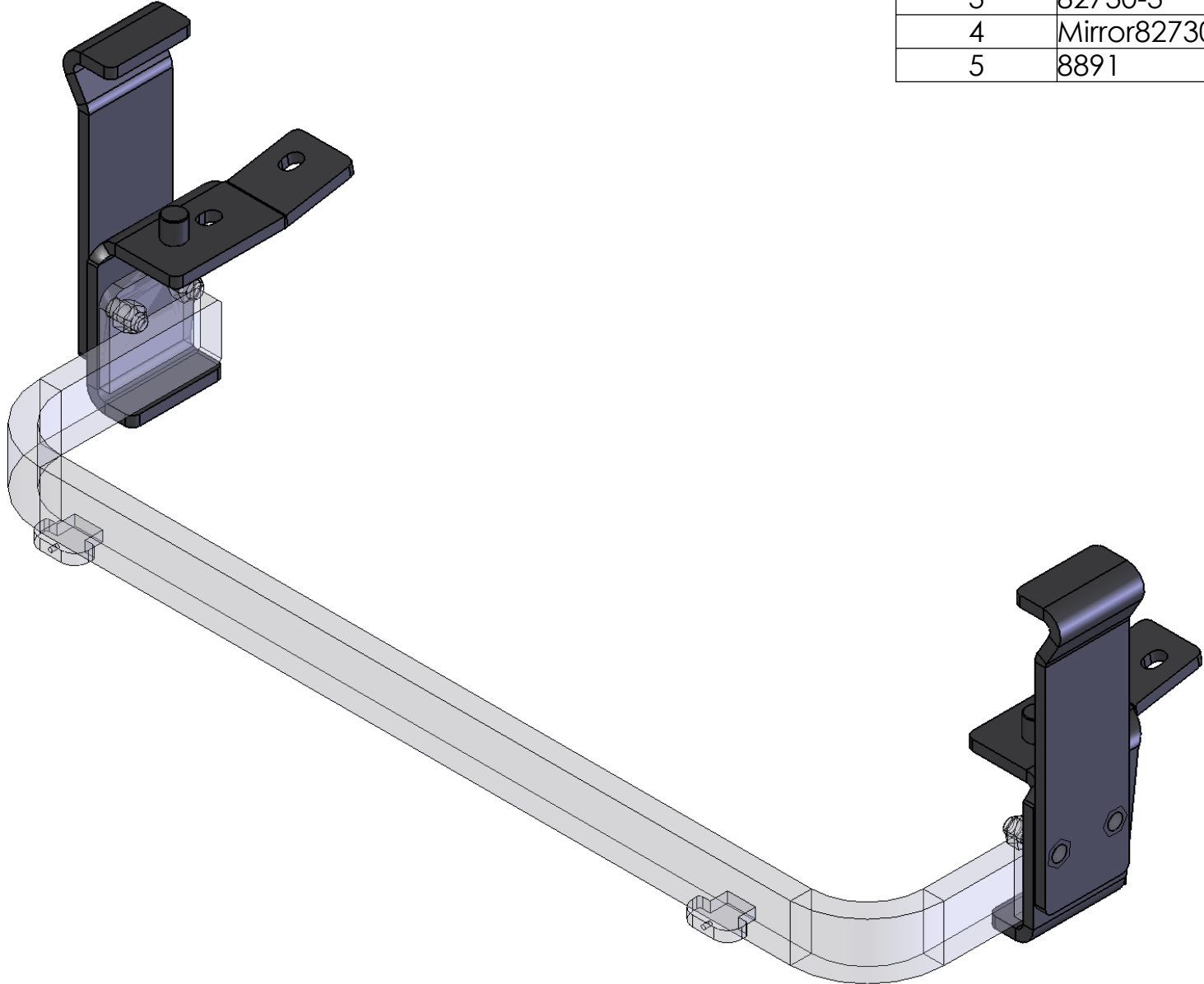


ITEM NO.	PART NUMBER	Default/QTY.
1	82730-1	1
2	82730-2	2
3	82730-3	2
4	Mirror82730-1	1
5	8891	1



SIZE <b>A</b>	DWG. NO. <b>82730-A</b>	REV
SCALE: 1:1	WEIGHT:	SHEET 1 OF 1

5



4

3

2

1