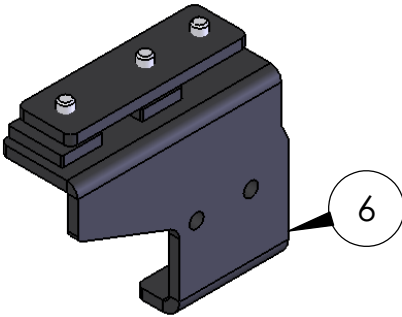
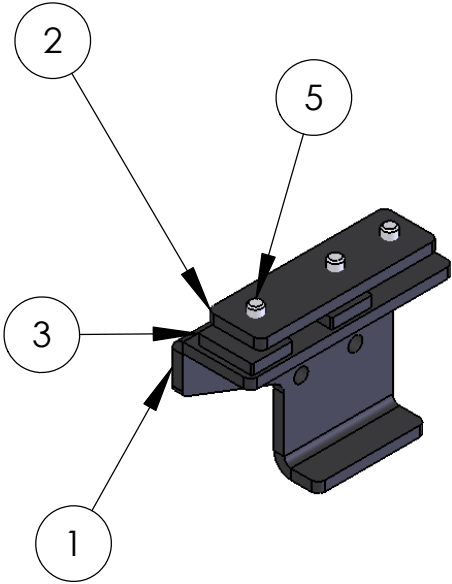
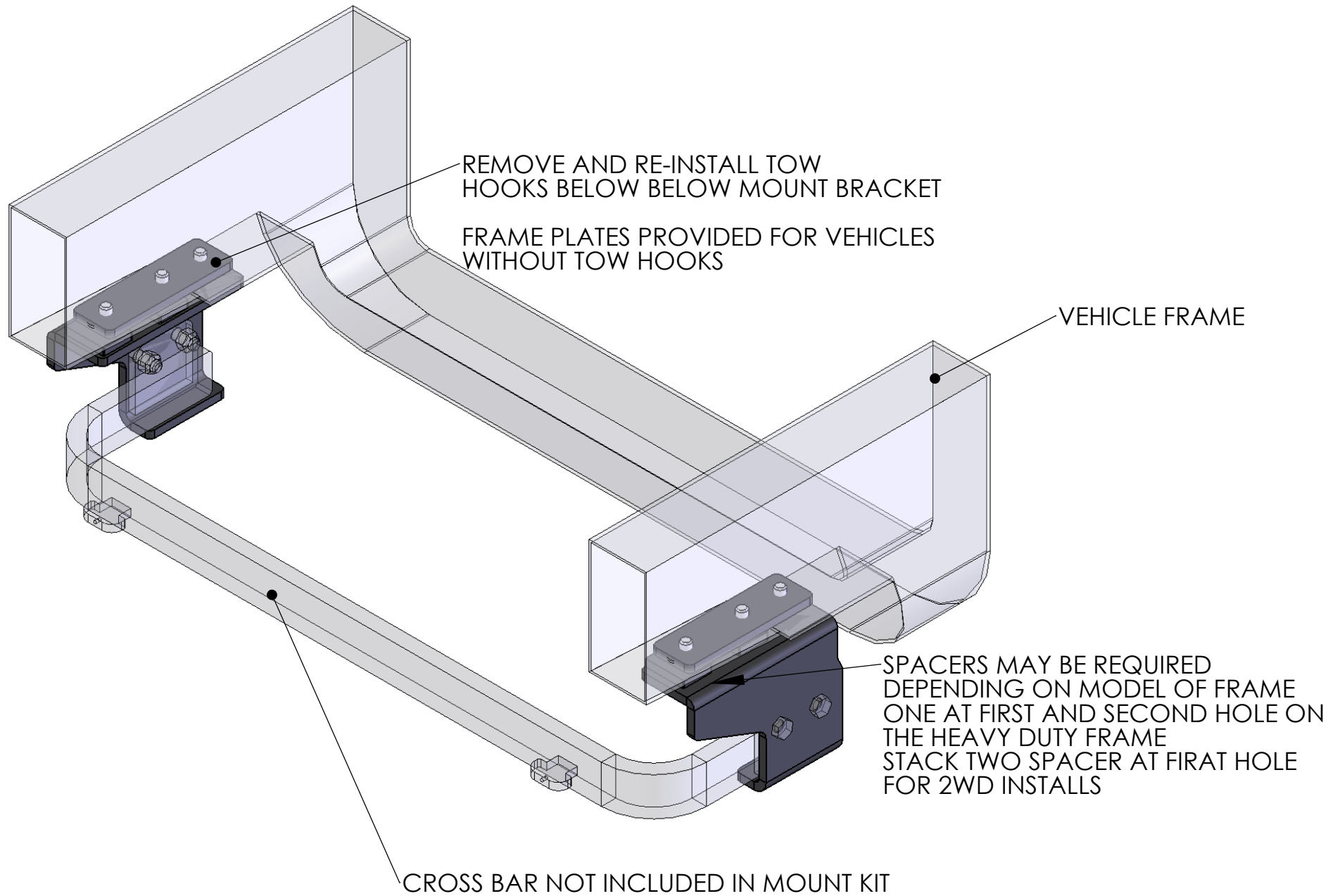


ITEM NO.	PART NUMBER	mount/QTY.
1	83005-1	1
2	83005-2	2
3	83005-3	4
4	FW-0500-Z	6
5	HH-0500-1750-Z	6
6	Mirror83005-1	1



SIZE A	DWG. NO. 83005-A	REV
SCALE: 1:1	WEIGHT:	SHEET 1 OF 2



SIZE A	DWG. NO. 83005-A	REV
SCALE: 1:1	WEIGHT:	SHEET 2 OF 2

5

↑

4

3

2

1