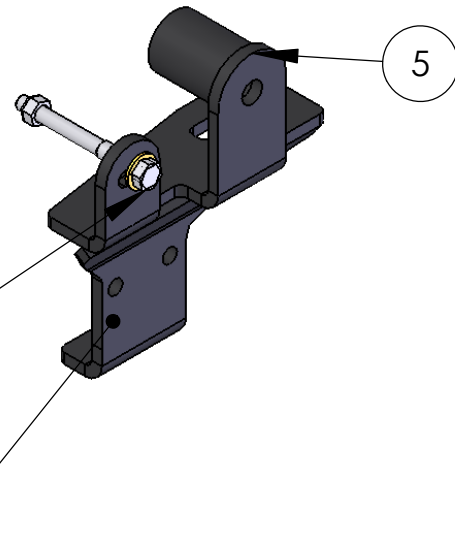
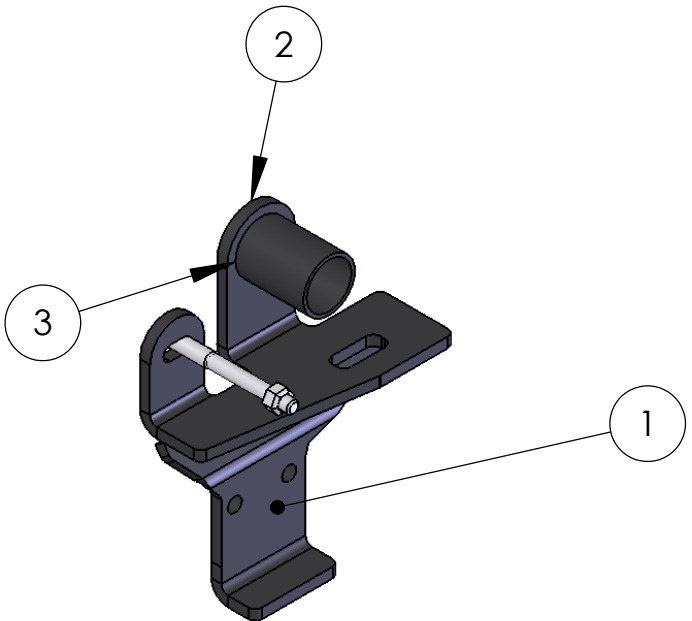
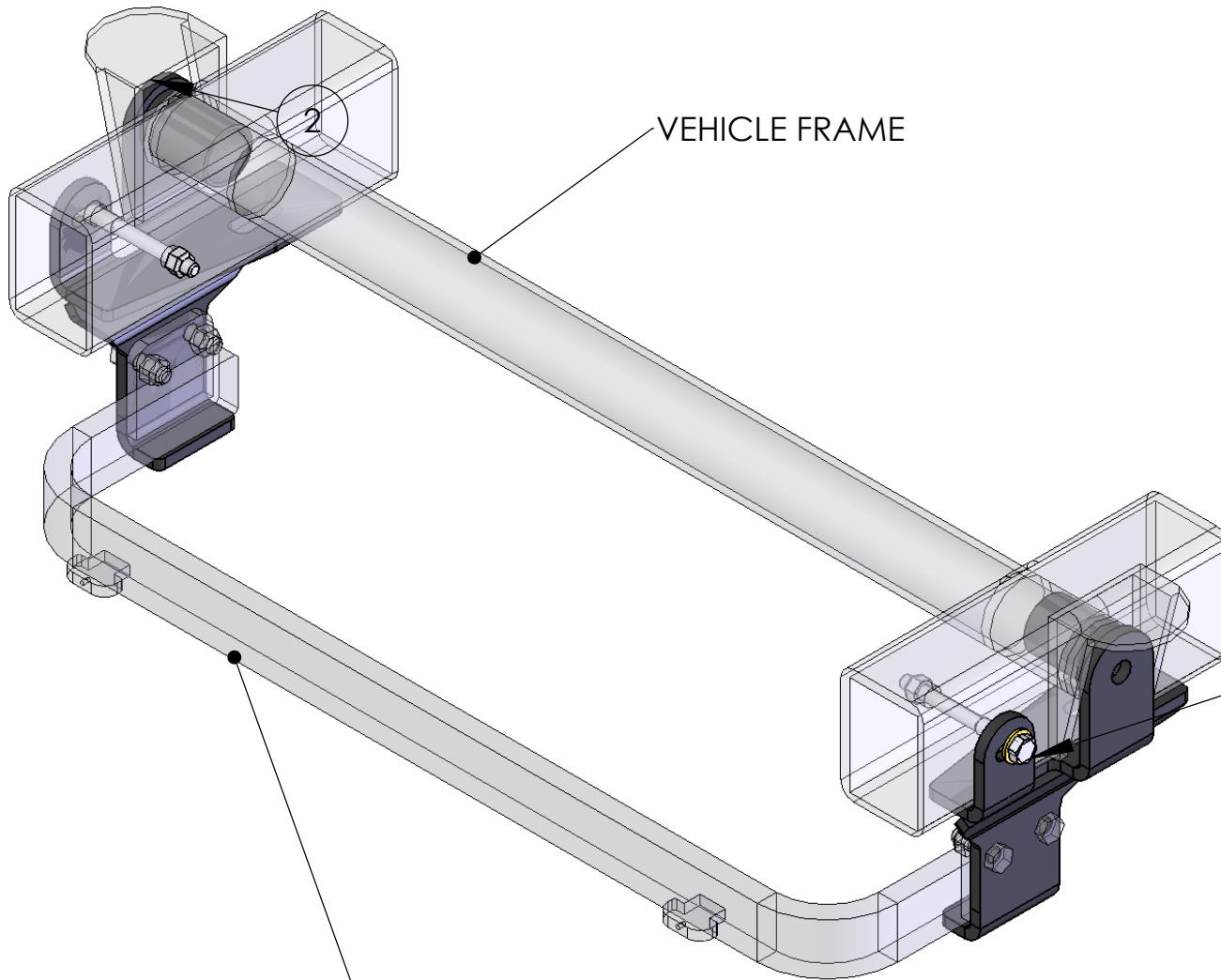


ITEM NO.	PART NUMBER	mount/QTY.
1	83008-1	1
2	83008-2	1
3	83008-3	2
4	Mirror83008-1	1
5	Mirror83008-2	1
6	M12-1.75-40	2
7	FW-0500-Z	4
8	HH-0437-4500-Z	2
9	NIN-0437-Z	2



USE M12 BOLT SUPPLIED WITH VEHICLES THAT HAVE TOW HOOKS

SIZE A	DWG. NO. 83008-A	REV
SCALE: 1:1	WEIGHT:	SHEET 1 OF 2



VEHICLE FRAME

USE 7/16 BOLT FOR VEHICLES WITH NO TOW HOOKS

CROSS BAR NOT INCLUDED IN MOUNT KIT

SIZE A	DWG. NO. 83008-A	REV
SCALE: 1:1	WEIGHT:	SHEET 2 OF 2