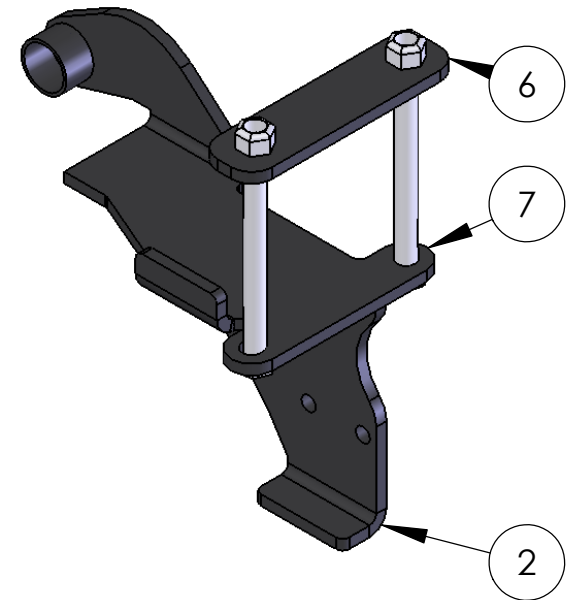
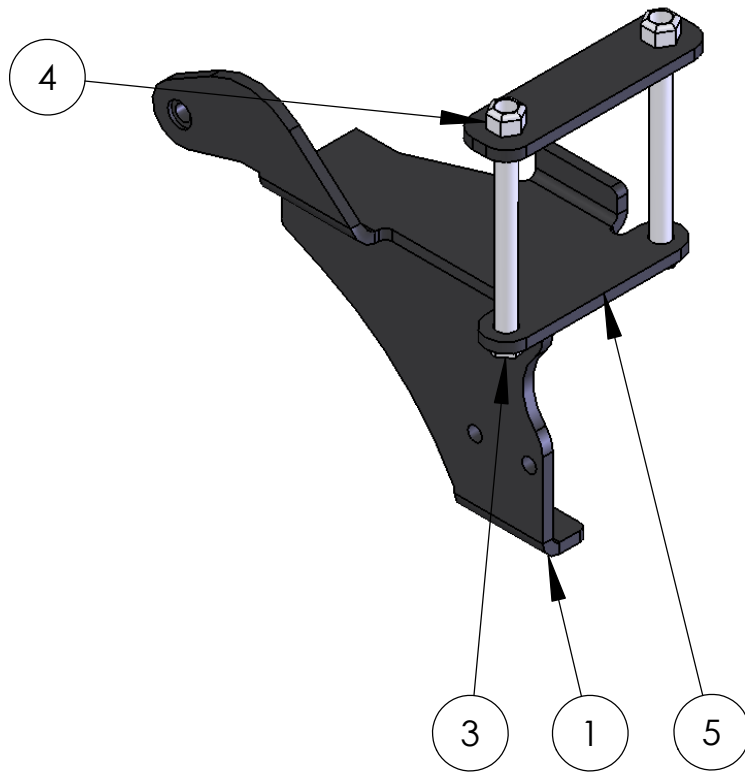


ITEM NO.	PART NUMBER	MOUNT/QTY.
1	83013-3	1
2	Mirror83013-3	1
3	HH-0625-7000-Z	4
4	NIN-0625-Z	4
5	83013-1	1
6	83013-2	2
7	Mirror83013-1	1
8	83013-4	1
9	83013-5	1



SIZE	DWG. NO.	REV
A	83013-A	
SCALE: 1:5	WEIGHT:	SHEET 1 OF 2

5

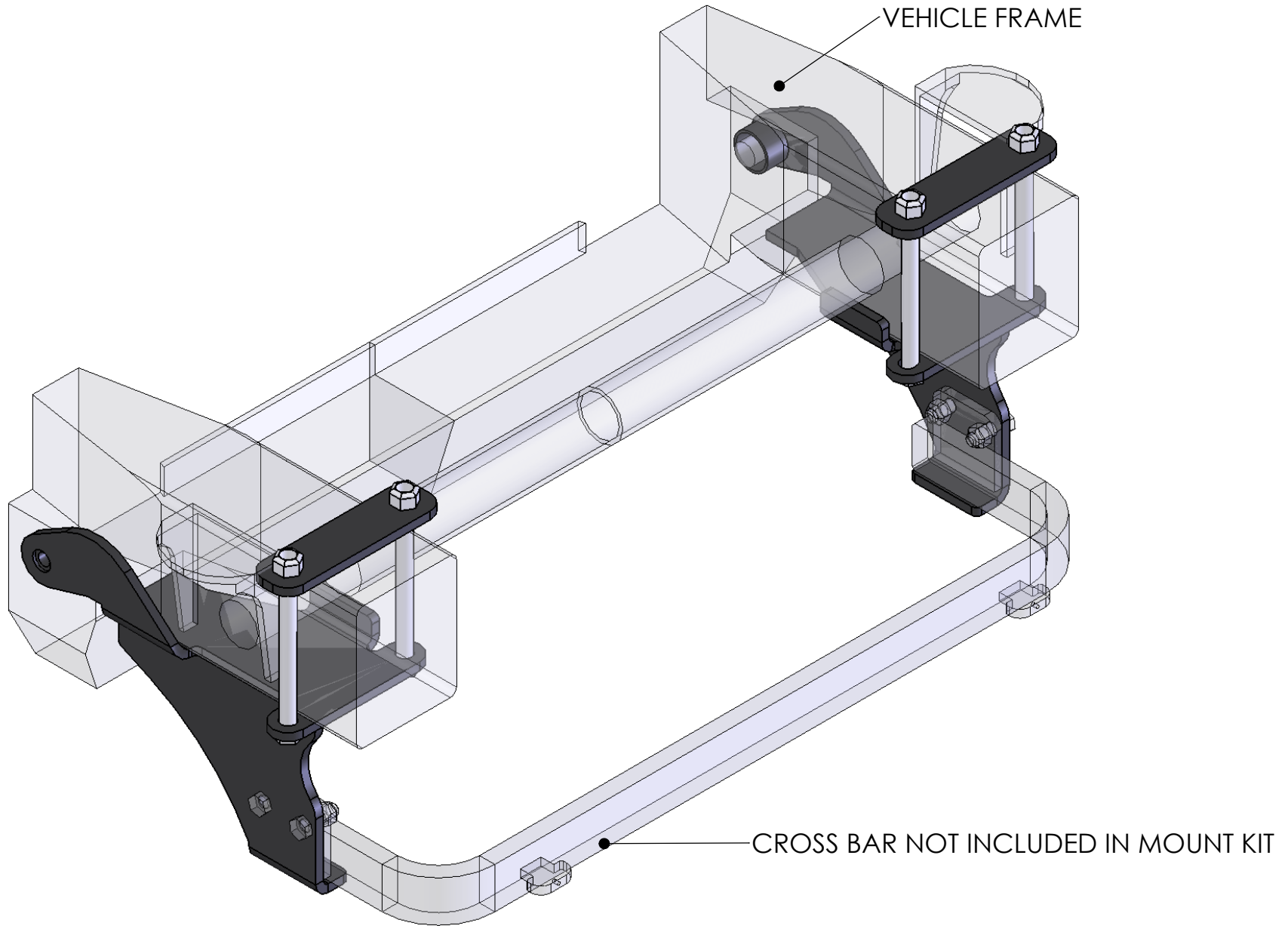
↑

4

3

2

1



SIZE	DWG. NO.	REV
A	83013-A	
SCALE: 1:5	WEIGHT:	SHEET 2 OF 2

5



4

3

2

1