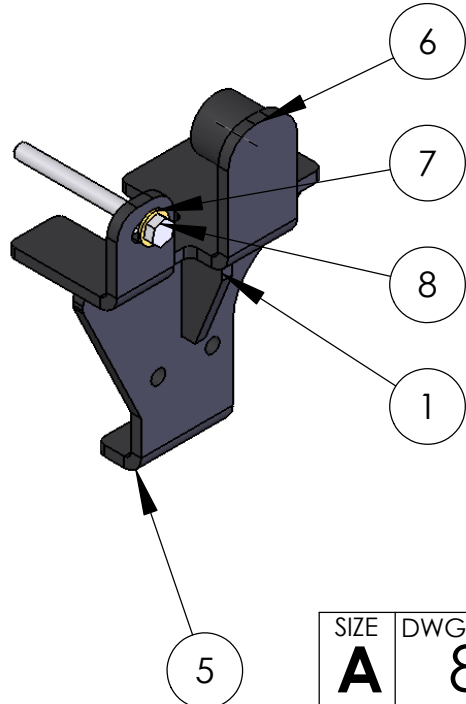
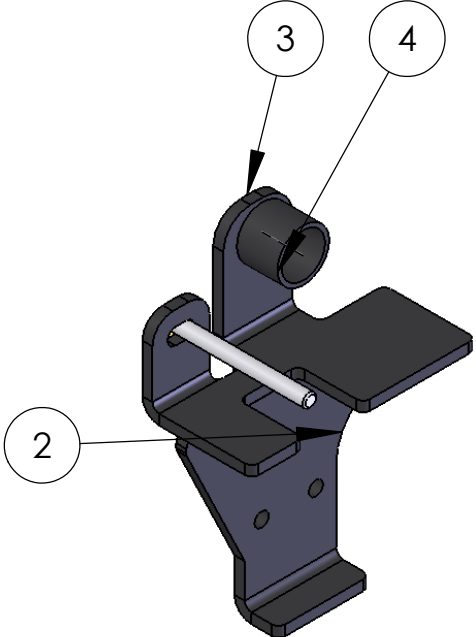
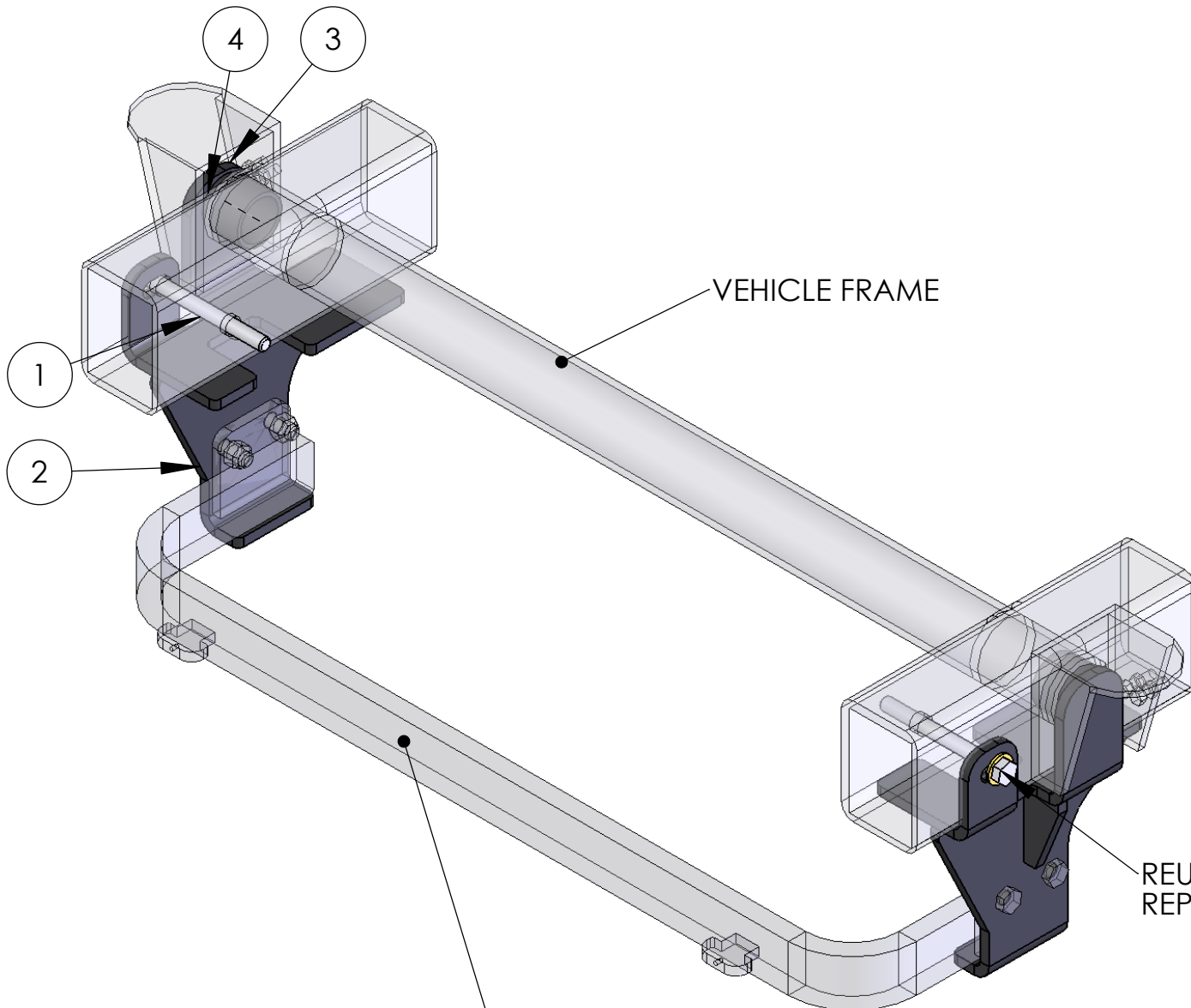


ITEM NO.	PART NUMBER	mount/QTY.
1	83014-3	2
2	83014-2	1
3	83014-1	1
4	83014-4	2
5	Mirror83014-2	1
6	Mirror83014-1	1
7	FW-0500-Z	2
8	M12-1.75-130	2



SIZE A	DWG. NO. 83014-A	REV
SCALE: 1:5	WEIGHT:	SHEET 1 OF 2



VEHICLE FRAME

REUSE TOW HOOK HARDWARE OR REPLACE WITH SUPPLIED

CROSS BAR NOT INCLUDED IN MOUNT KIT

SIZE A	DWG. NO. 83014-A	REV
SCALE: 1:1	WEIGHT:	SHEET 2 OF 2