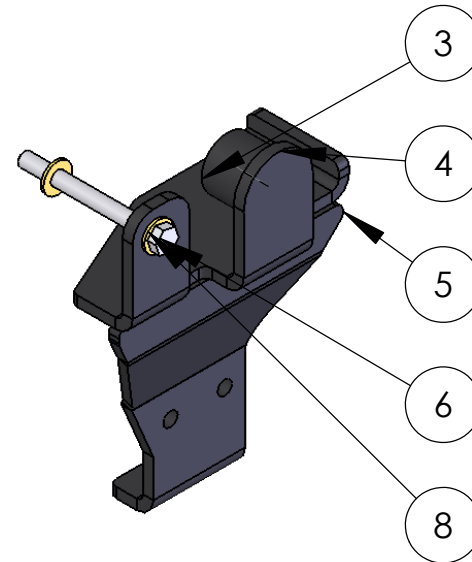


ITEM NO.	PART NUMBER	MOUNT/QTY.
1	83015-1	1
2	83015-2	1
3	83015-4	2
4	Mirror83015-1	1
5	Mirror83015-2	1
6	M12-1.75-130	2
7	M12-1.75-40	2
8	FW-0500-Z	6



SIZE A	DWG. NO. 83015-A	REV
SCALE: 1:1	WEIGHT:	SHEET 1 OF 2

5

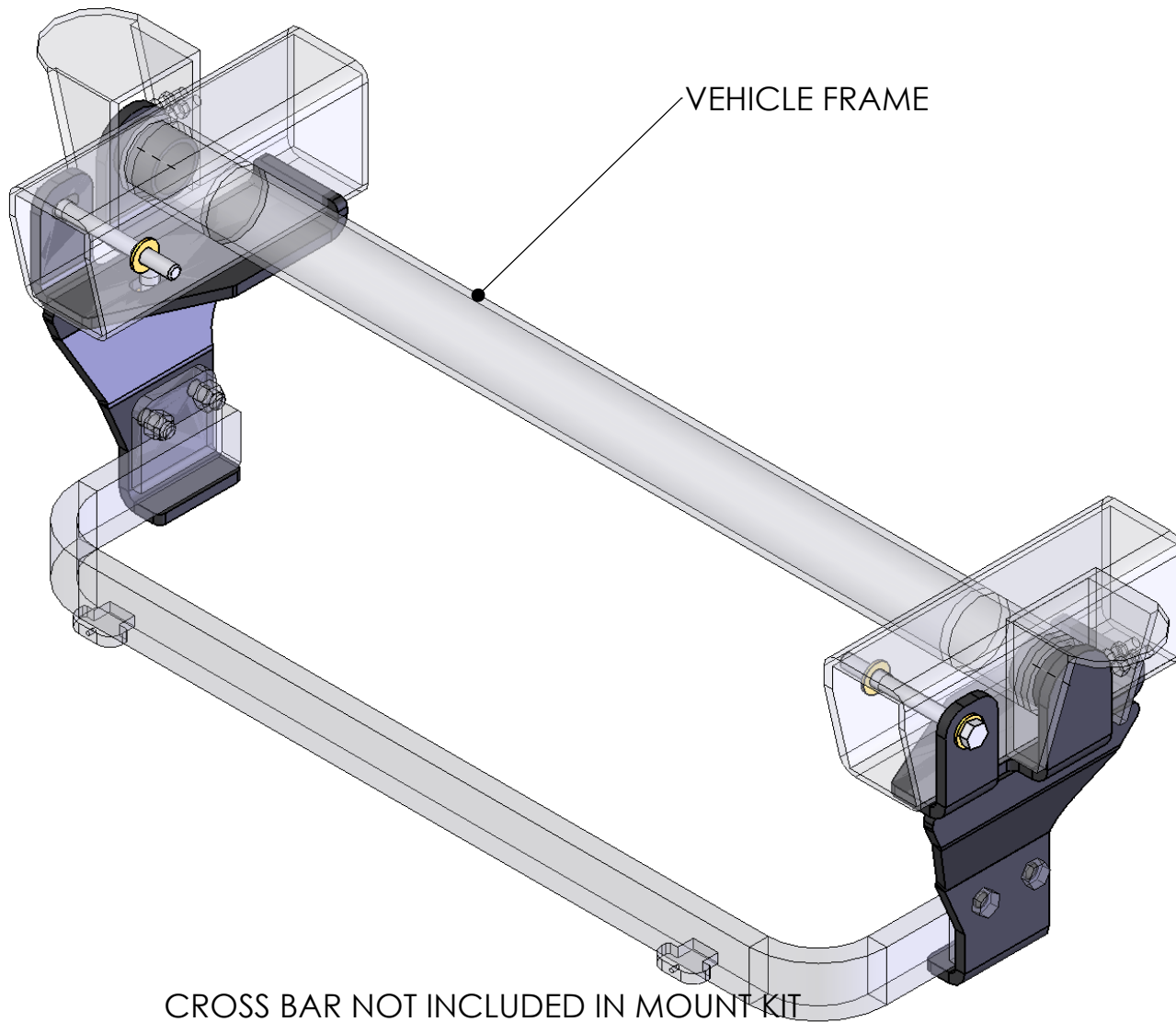
↑

4

3

2

1



SIZE	DWG. NO.	REV
A	83015-A	
SCALE: 1:1	WEIGHT:	SHEET 2 OF 2