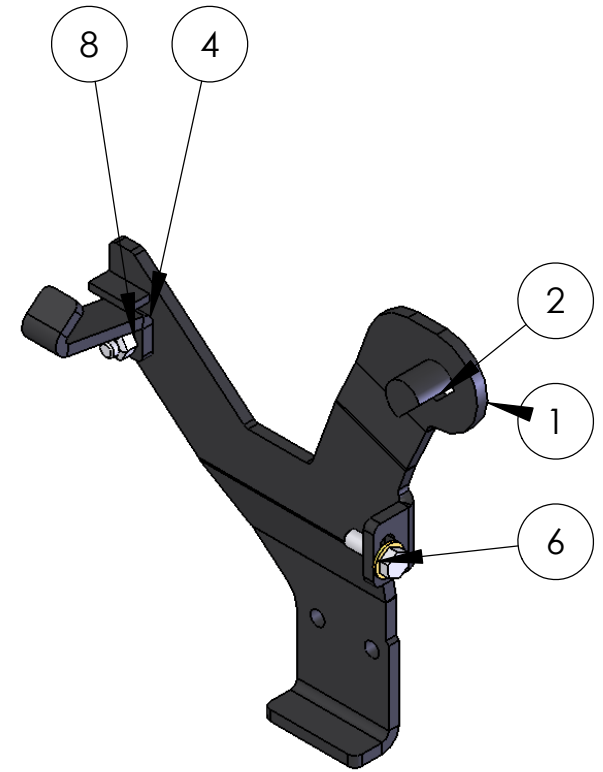
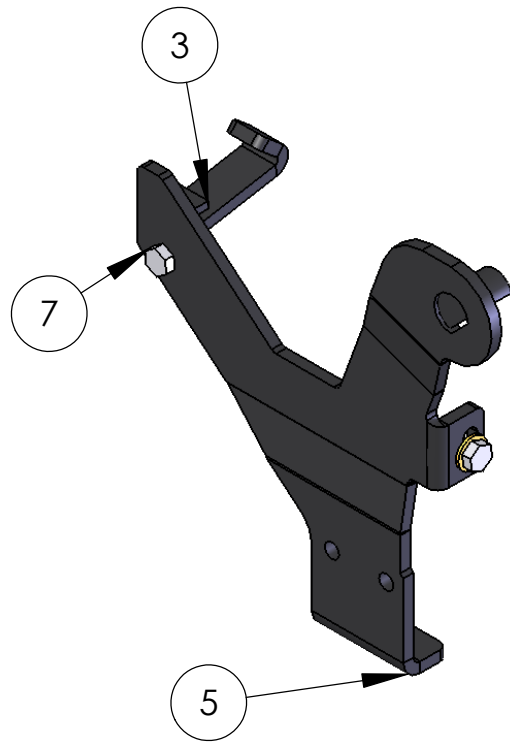


ITEM NO.	PART NUMBER	mount/QTY.
1	84102-1	1
2	84102-2	2
3	84102-3	2
4	84102-4	2
5	Mirror84102-1	1
6	FW-0500-Z	2
7	HH-0500-1500-Z	4
8	NIN-0500-Z	2



SIZE A	DWG. NO. 84102-A	REV
SCALE: 1:10	WEIGHT:	SHEET 1 OF 2

5

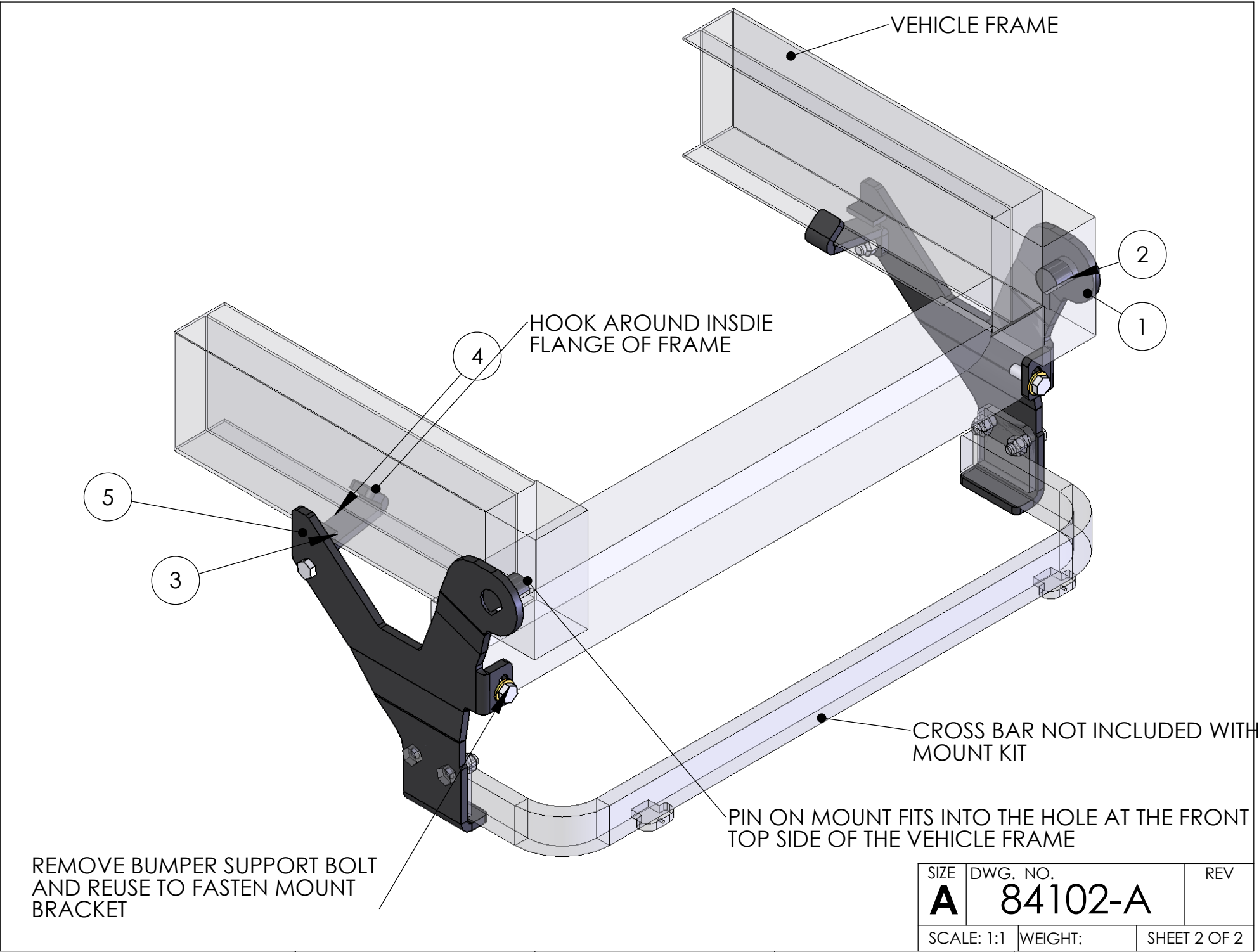
↑

4

3

2

1



VEHICLE FRAME

2
1

HOOK AROUND INSIDIE FLANGE OF FRAME

4

5

3

CROSS BAR NOT INCLUDED WITH MOUNT KIT

PIN ON MOUNT FITS INTO THE HOLE AT THE FRONT TOP SIDE OF THE VEHICLE FRAME

REMOVE BUMPER SUPPORT BOLT AND REUSE TO FASTEN MOUNT BRACKET

SIZE	DWG. NO.	REV
A	84102-A	
SCALE: 1:1	WEIGHT:	SHEET 2 OF 2

5 4 3 2 1