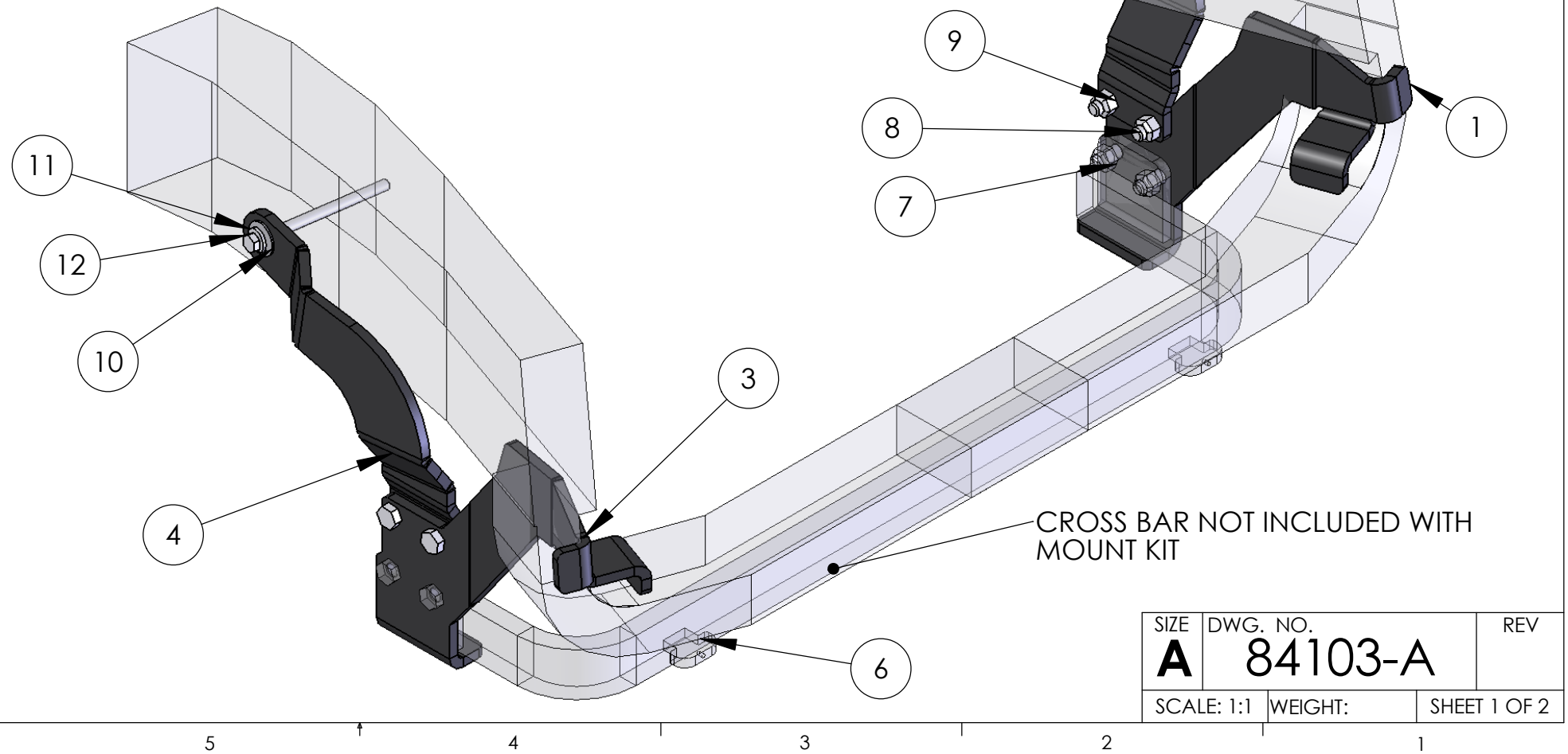
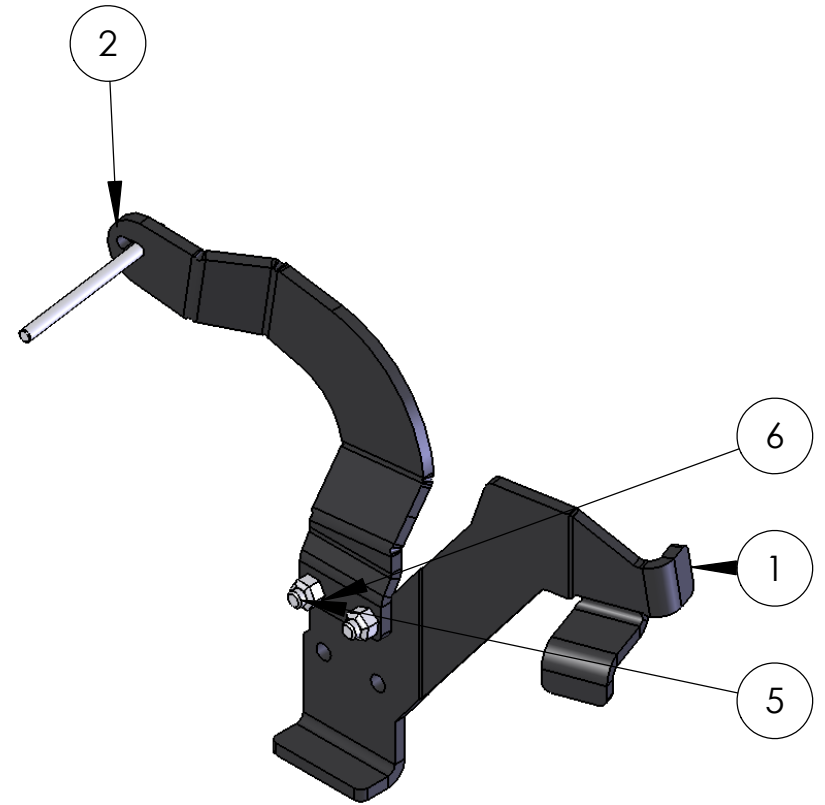
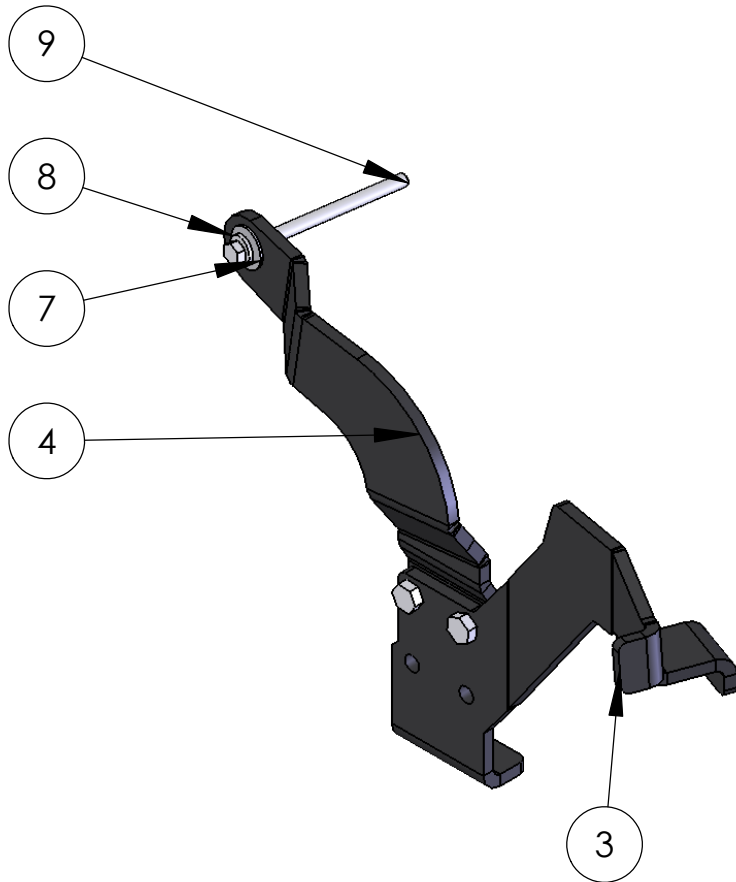


ITEM NO.	PART NUMBER	Default/ QTY.
1	84103-1	1
2	84103-2	1
3	Mirror84103-1	1
4	Mirror84103-2	1
5	24103	1
6	Mirror24103	1
7	8891	1
8	HH-0500-1500-Z	4
9	NIN-0500-Z	4
10	FW 0.75	2
11	LW-0437-Z	2
12	M10-1.5-130-Z	2



ITEM NO.	PART NUMBER	mount/QTY.
1	84103-1	1
2	84103-2	1
3	Mirror84103-1	1
4	Mirror84103-2	1
5	HH-0500-1500-Z	4
6	NIN-0500-Z	4
7	FW 0.75	2
8	LW-0437-Z	2
9	M10-1.5-130-Z	2



SIZE A	DWG. NO. 84103-A	REV
SCALE: 1:5	WEIGHT:	SHEET 2 OF 2

5

↑

4

3

2

1