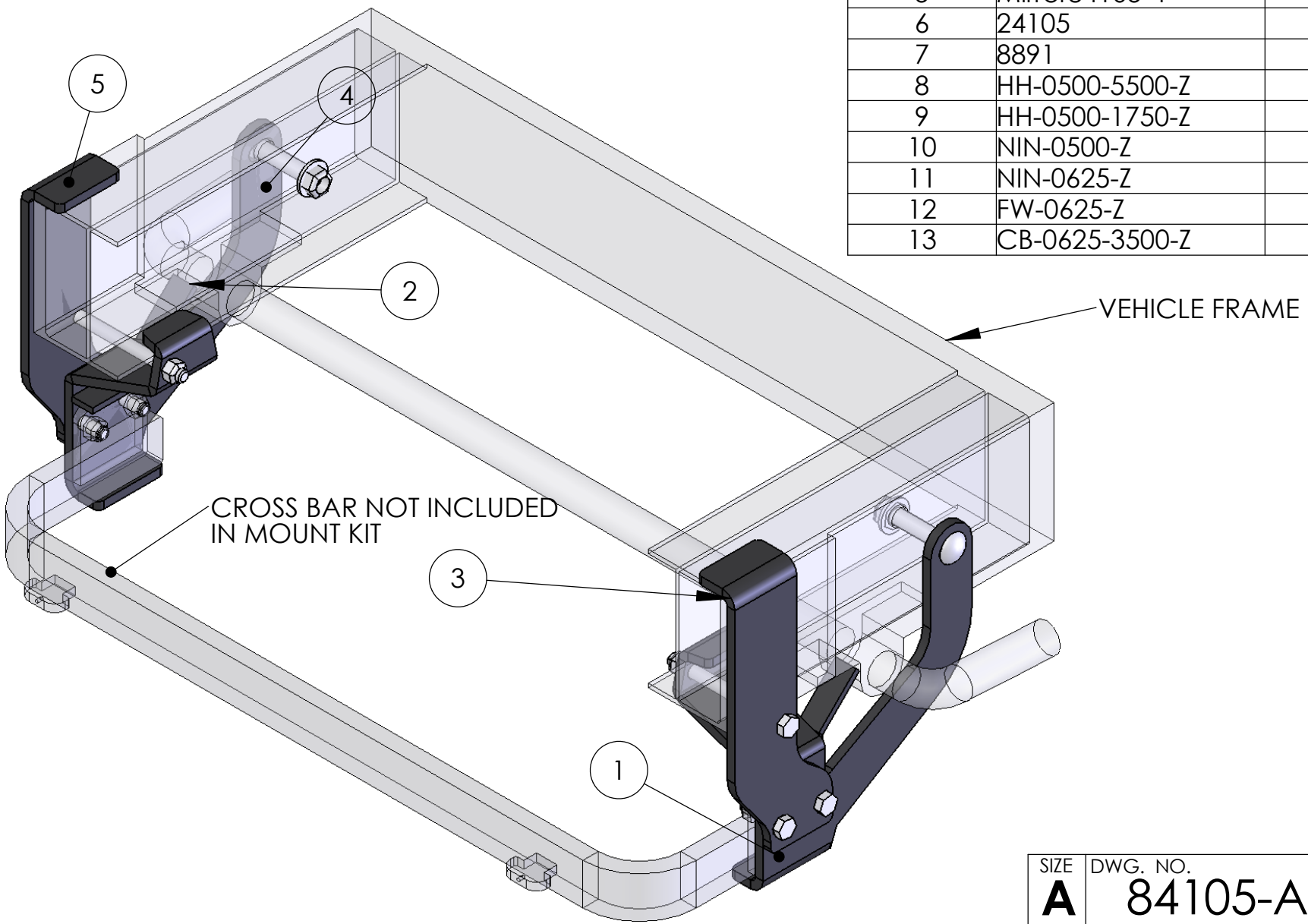
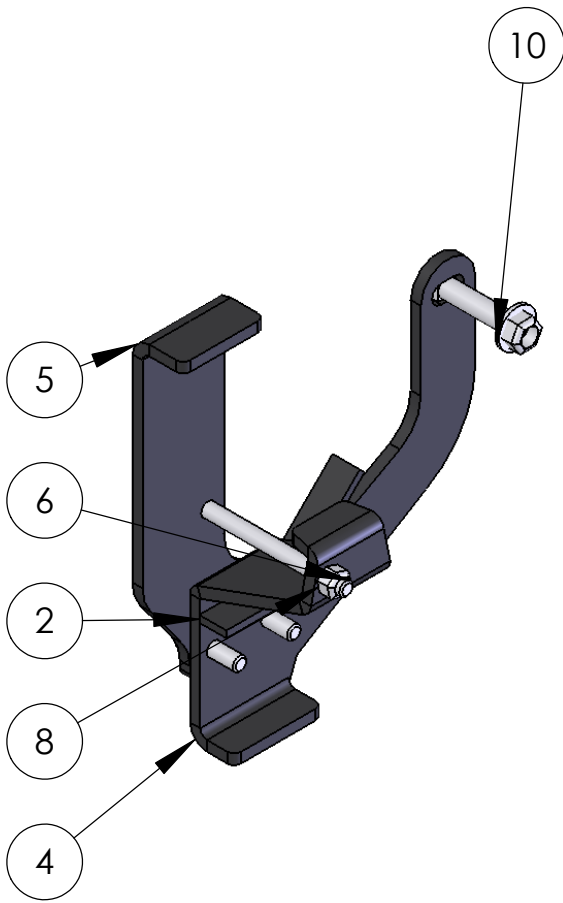


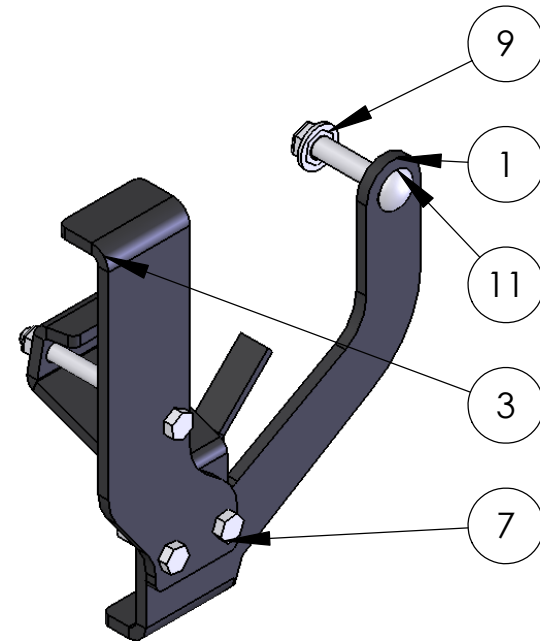
ITEM NO.	PART NUMBER	Default/QTY.
1	84105-1	1
2	84105-3	2
3	84105-4	1
4	Mirror84105-1	1
5	Mirror84105-4	1
6	24105	1
7	8891	1
8	HH-0500-5500-Z	2
9	HH-0500-1750-Z	4
10	NIN-0500-Z	2
11	NIN-0625-Z	2
12	FW-0625-Z	2
13	CB-0625-3500-Z	2



SIZE A	DWG. NO. 84105-A	REV
SCALE: 1:1	WEIGHT:	SHEET 1 OF 2



ITEM NO.	PART NUMBER	MOUNT/QTY.
1	84105-1	1
2	84105-3	2
3	84105-4	1
4	Mirror84105-1	1
5	Mirror84105-4	1
6	HH-0500-5500-Z	2
7	HH-0500-1750-Z	4
8	NIN-0500-Z	2
9	NIN-0625-Z	2
10	FW-0625-Z	2
11	CB-0625-3500-Z	2



SIZE A	DWG. NO. 84105-A	REV
SCALE: 1:5	WEIGHT:	SHEET 2 OF 2

5

↑

4

3

2

1