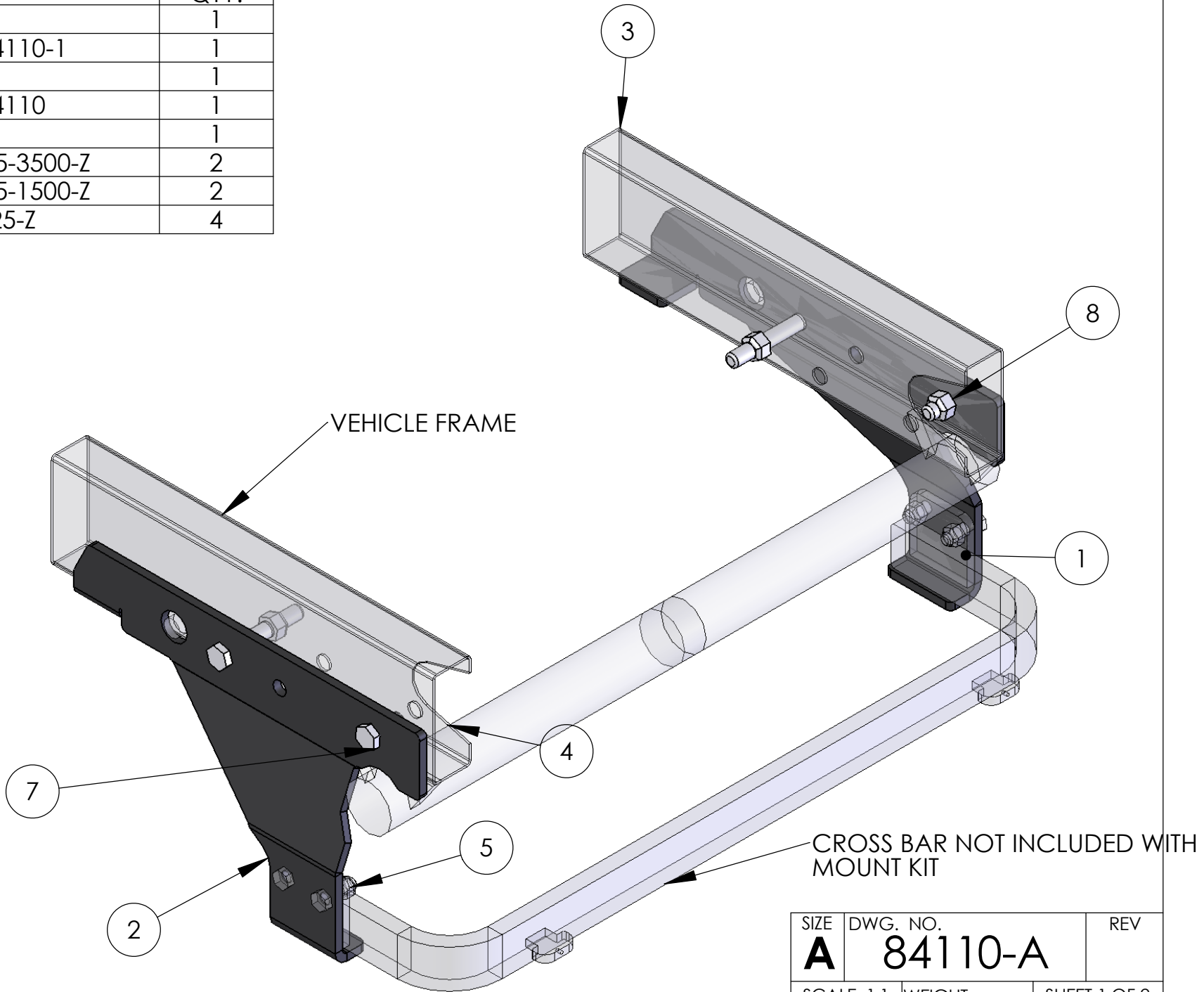


ITEM NO.	PART NUMBER	Default/ QTY.
1	84110-1	1
2	Mirror84110-1	1
3	24110	1
4	Mirror24110	1
5	8891	1
6	HH-0625-3500-Z	2
7	HH-0625-1500-Z	2
8	NIN-0625-Z	4



SIZE A	DWG. NO. 84110-A	REV
SCALE: 1:1	WEIGHT:	SHEET 1 OF 2

5

↑

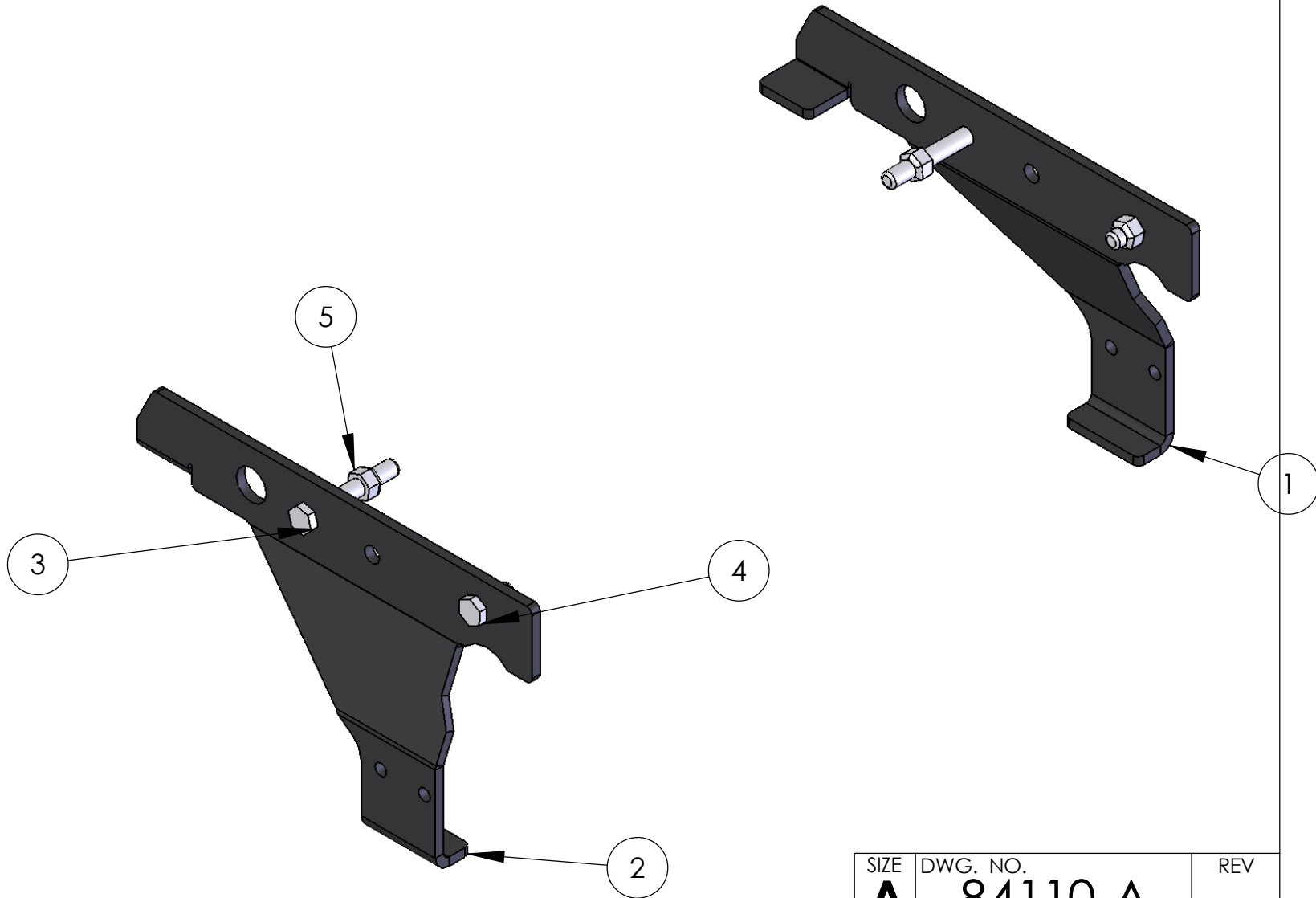
4

3

2

1

ITEM NO.	PART NUMBER	MOUNT/QTY.
1	84110-1	1
2	Mirror84110-1	1
3	HH-0625-3500-Z	2
4	HH-0625-1500-Z	2
5	NIN-0625-Z	4



SIZE A	DWG. NO. 84110-A	REV
SCALE: 1:5	WEIGHT:	SHEET 2 OF 2

5

↑

4

3

2

1