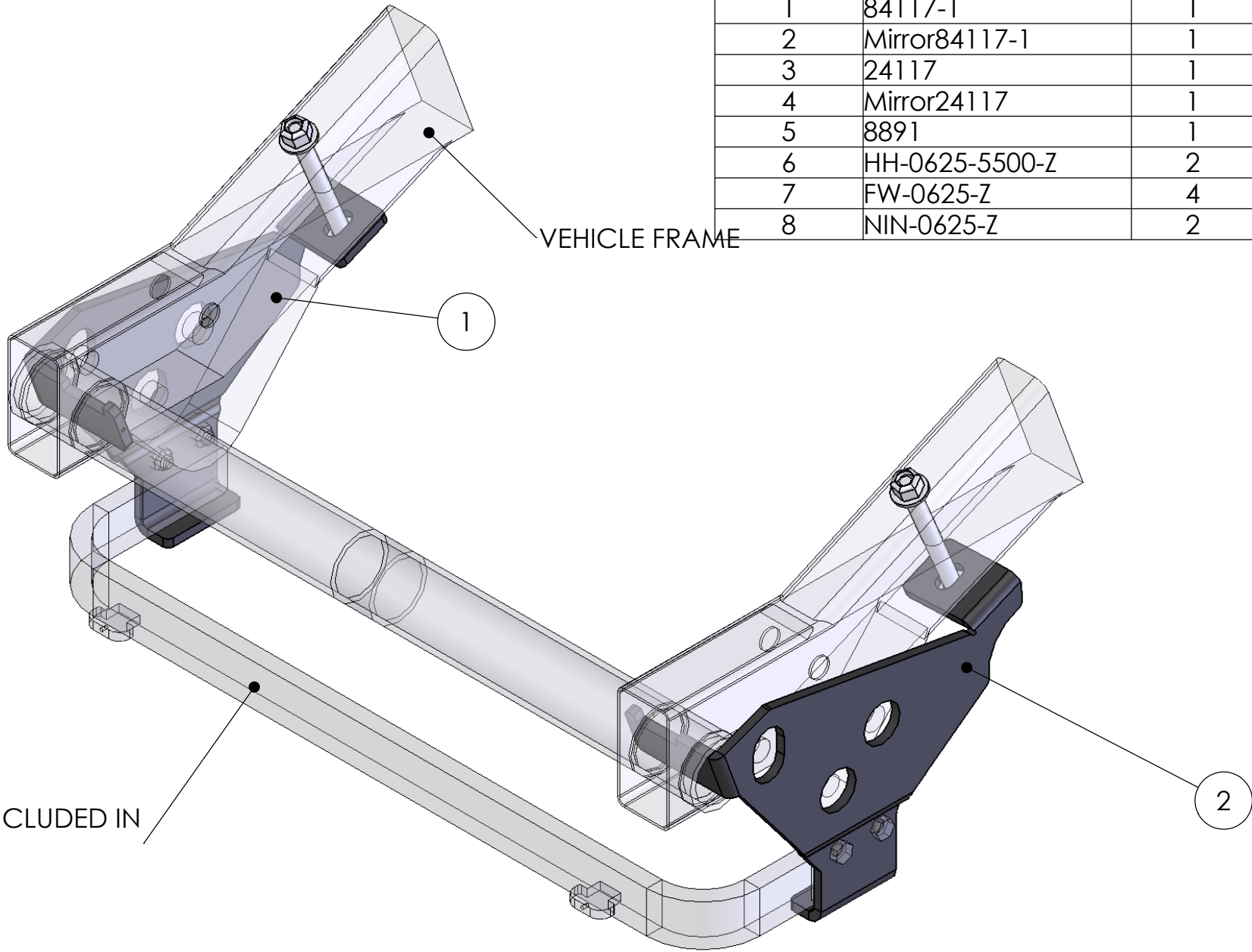


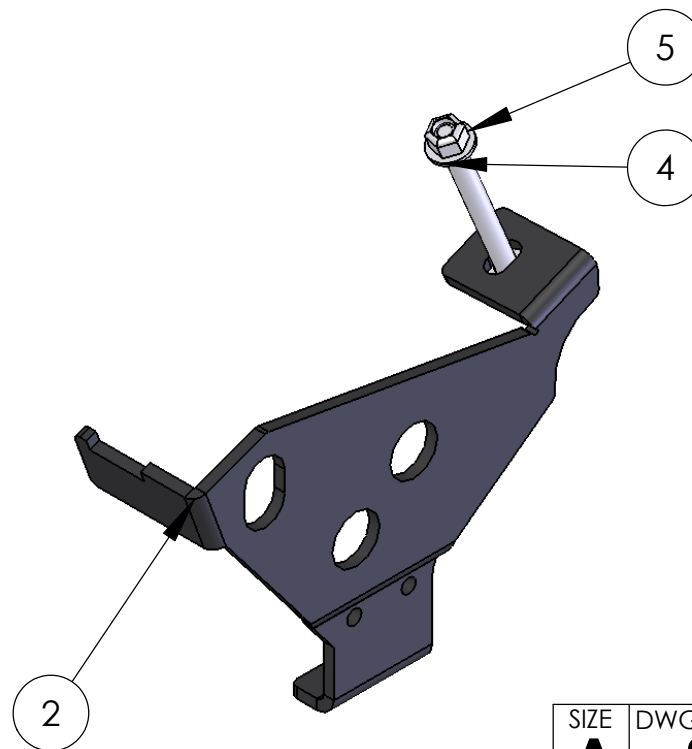
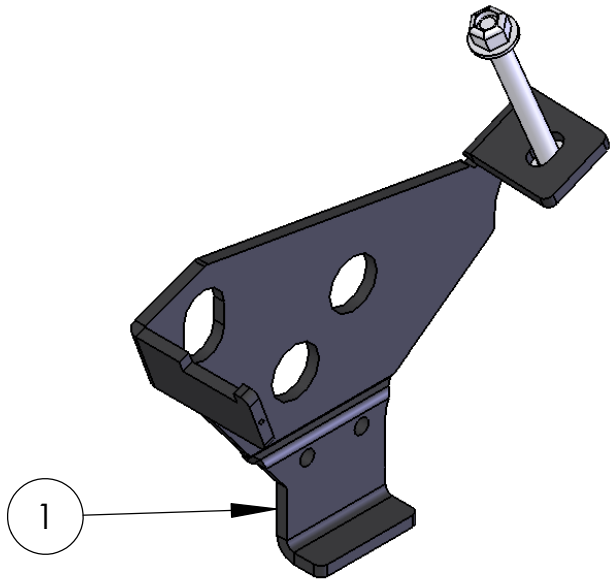
ITEM NO.	PART NUMBER	Default/ QTY.
1	84117-1	1
2	Mirror84117-1	1
3	24117	1
4	Mirror24117	1
5	8891	1
6	HH-0625-5500-Z	2
7	FW-0625-Z	4
8	NIN-0625-Z	2



CROSS BAR NOT INCLUDED IN MOUNT KIT

SIZE A	DWG. NO. 84117-A	REV
SCALE: 1:1	WEIGHT:	SHEET 1 OF 2

ITEM NO.	PART NUMBER	MOUNT/QTY.
1	84117-1	1
2	Mirror84117-1	1
3	HH-0625-5500-Z	2
4	FW-0625-Z	4
5	NIN-0625-Z	2



SIZE A	DWG. NO. 84117-A	REV
SCALE: 1:5	WEIGHT:	SHEET 2 OF 2

5

↑

4

3

2

1