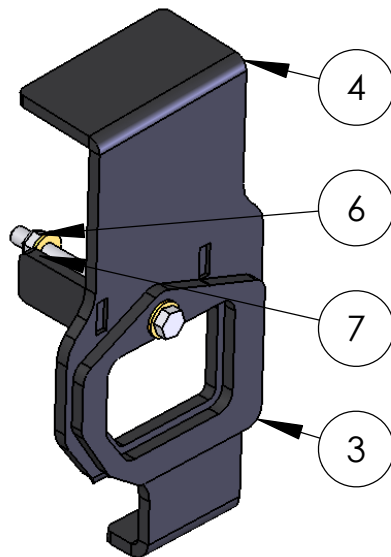
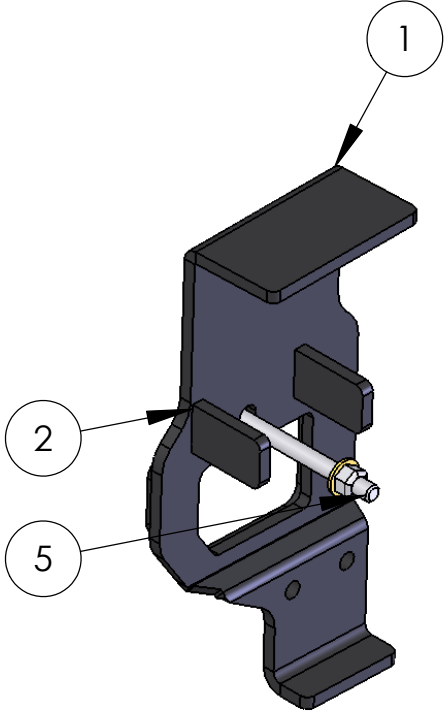




ITEM NO.	PART NUMBER	mount/QTY.
1	84119-1	1
2	84119-2	4
3	84119-3	2
4	Mirror84119-1	1
5	HH-0500-5500-Z	2
6	NIN-0500-Z	2
7	FW-0500-Z	4



SIZE <b>A</b>	DWG. NO. <b>84119-A</b>	REV
SCALE: 1:5	WEIGHT:	SHEET 2 OF 2