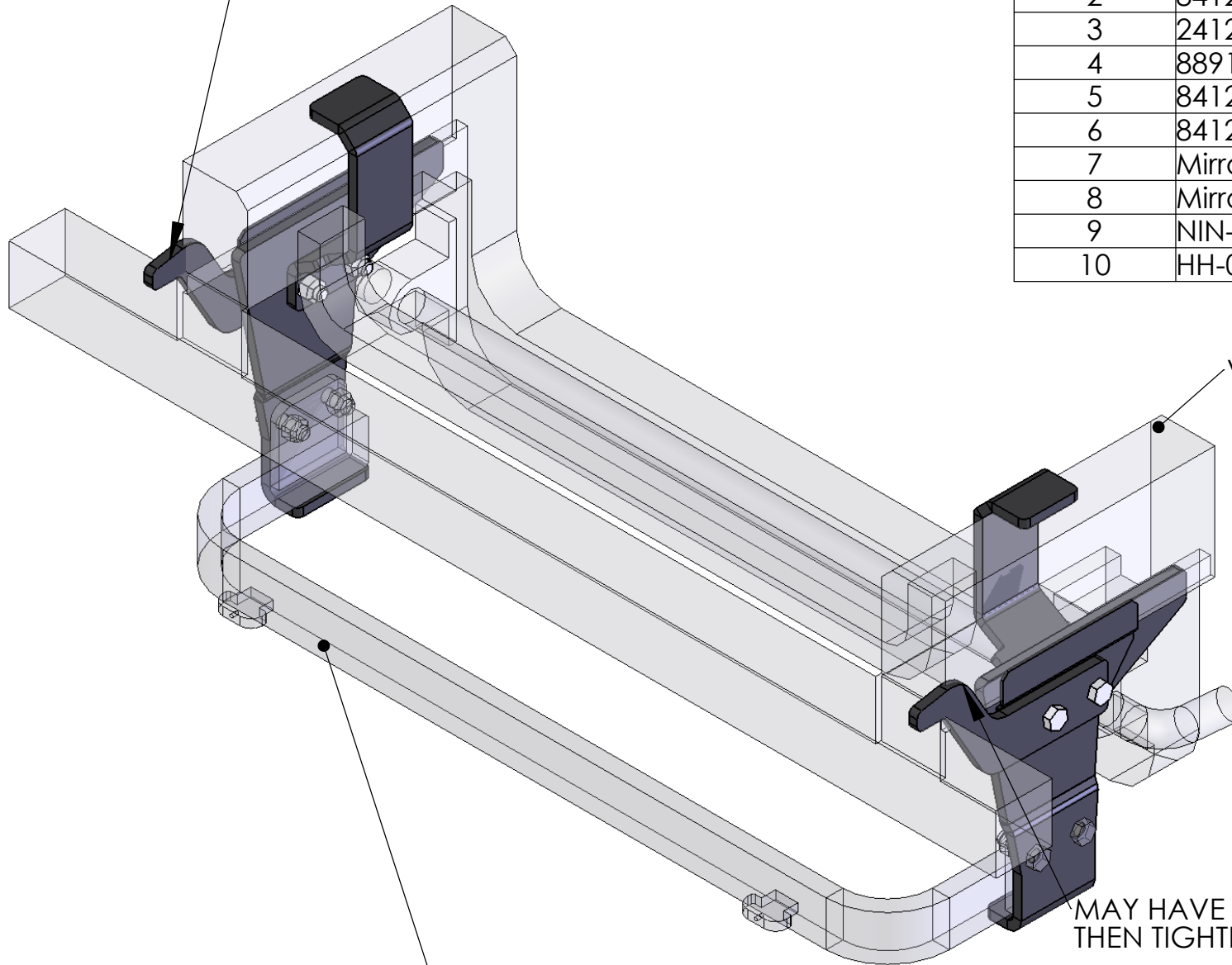


PLATE FITS BETWEEN THE FLUID TANK AND FRAME  
 , MAY HAVE TO LOOSEN TANK TO INSTALL

ITEM NO.	PART NUMBER	Default/ QTY.
1	84121-1	1
2	84121-3	1
3	24121	1
4	8891	1
5	84121-2	2
6	84121-4	2
7	Mirror84121-11	1
8	Mirror84121-31	1
9	NIN-0500-Z	4
10	HH-0500-2000-Z	4



VEHICLE FRAME

MAY HAVE TO LOOSEN HORN MOUNT  
 THEN TIGHTEN AFTER INSTALL

CROSS BAR NOT INCLUDED IN MOUNT KIT

SIZE <b>A</b>	DWG. NO. <b>84121-A</b>	REV
SCALE: 1:1	WEIGHT:	SHEET 1 OF 2

5

↑

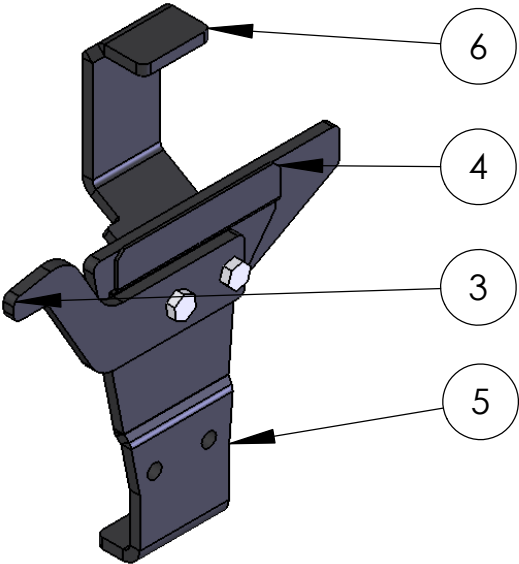
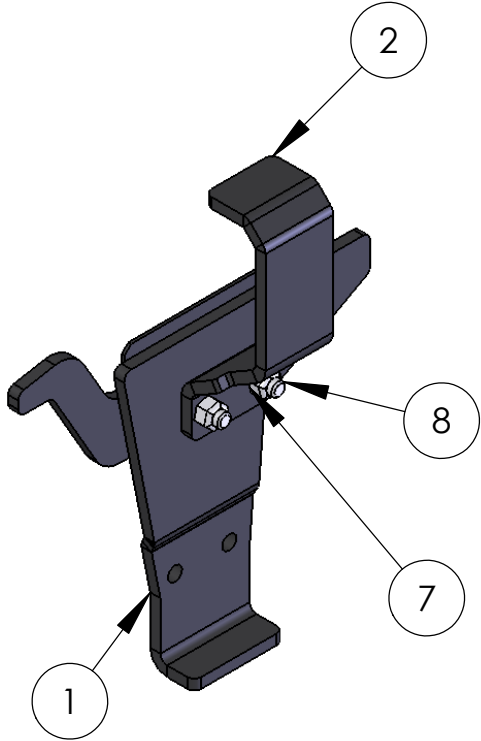
4

3

2

1

ITEM NO.	PART NUMBER	mount/QTY.
1	84121-1	1
2	84121-3	1
3	84121-4	2
4	84121-2	2
5	Mirror84121-11	1
6	Mirror84121-31	1
7	NIN-0500-Z	4
8	HH-0500-2000-Z	4



SIZE <b>A</b>	DWG. NO. <b>84121-A</b>	REV
SCALE: 1:20	WEIGHT:	SHEET 2 OF 2