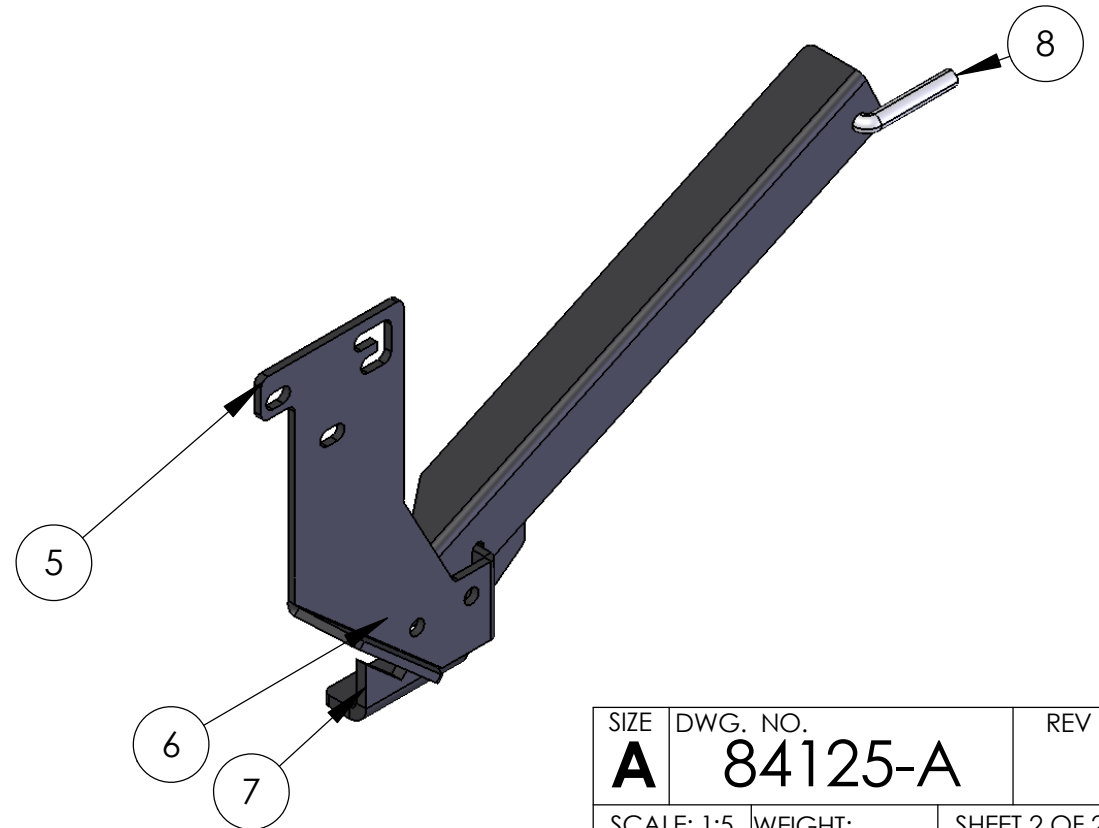
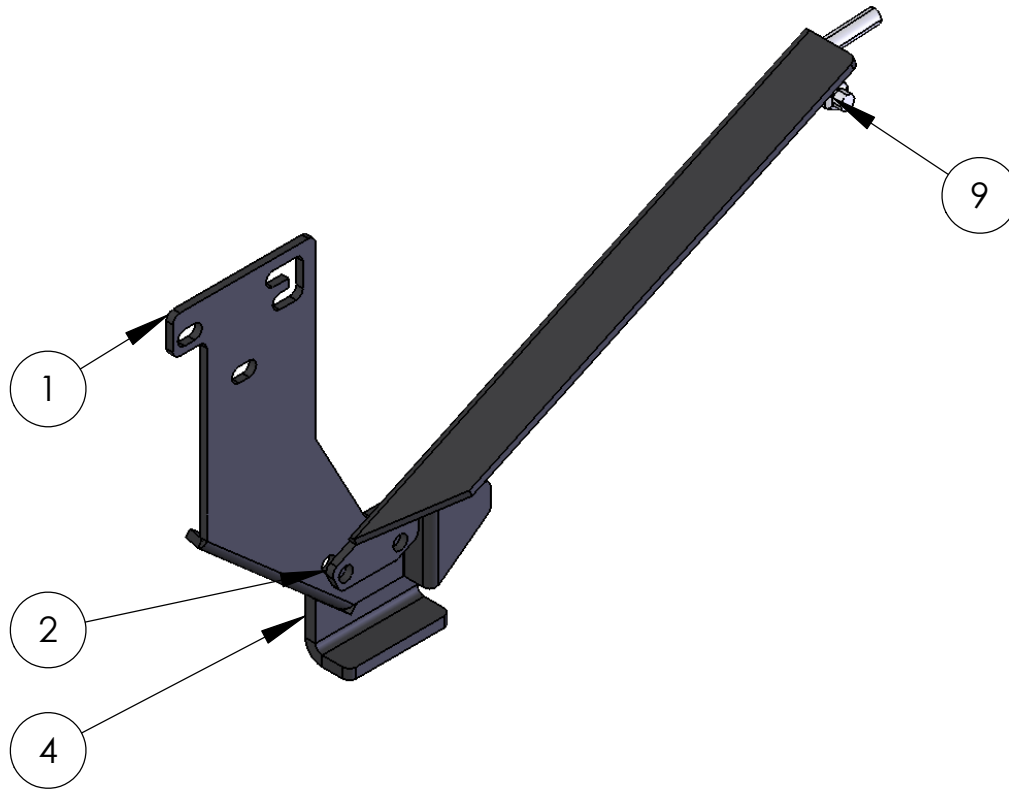


ITEM NO.	PART NUMBER	Default/QTY.
1	84125-1	1
2	84125-2	1
3	84125-3	2
4	84125-4	1
5	Mirror84125-1	1
6	Mirror84125-2	1
7	Mirror84125-4	1
8	24125	1
9	8891	1
10	LB-0500-2000-3000-Z	2
11	NIN-0500-Z	2

SIZE <b>A</b>	DWG. NO. <b>84125-A</b>	REV
SCALE: 1:1	WEIGHT:	SHEET 1 OF 2

5 4 3 2 1

ITEM NO.	PART NUMBER	MOUNT/QTY.
1	84125-1	1
2	84125-2	1
3	84125-3	2
4	84125-4	1
5	Mirror84125-1	1
6	Mirror84125-2	1
7	Mirror84125-4	1
8	LB-0500-2000-3000-Z	2
9	NIN-0500-Z	2



SIZE <b>A</b>	DWG. NO. <b>84125-A</b>	REV
SCALE: 1:5	WEIGHT:	SHEET 2 OF 2

5

↑

4

3

2

1