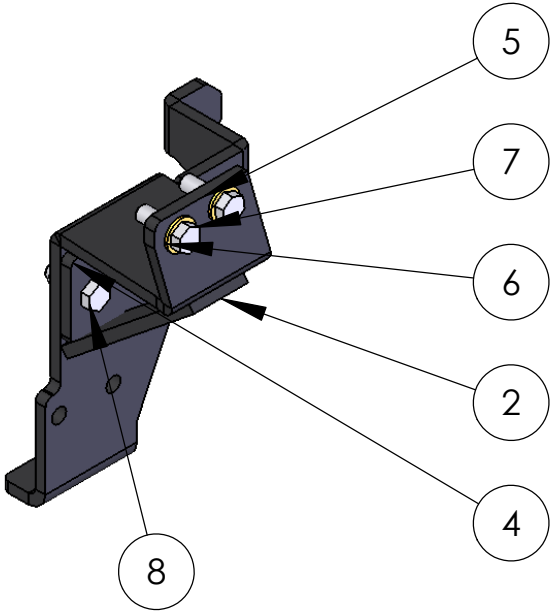
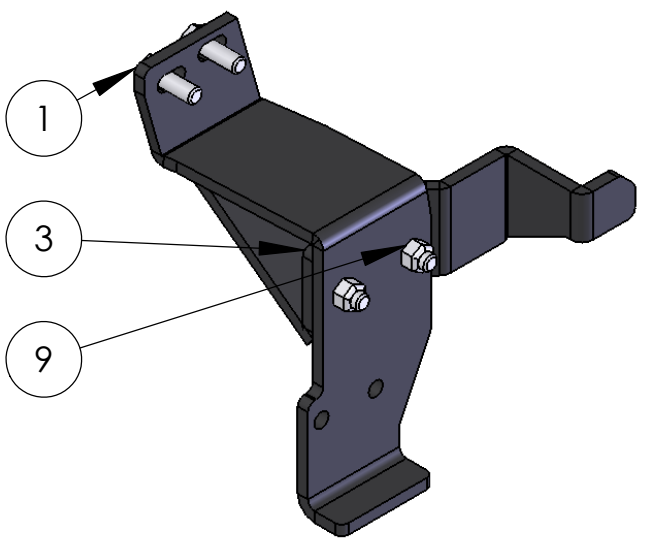


ITEM NO.	PART NUMBER	mount/QTY.
1	84130-1	1
2	84130-2	2
3	84130-3	1
4	Mirror84130-3	1
5	Mirror84130-1	1
6	FW-0500-Z	4
7	M12-1.75-40	4
8	HH-0500-1500-Z	4
9	NIN-0500-Z	4



SIZE A	DWG. NO. 84130-A	REV
SCALE: 1:10	WEIGHT:	SHEET 2 OF 2