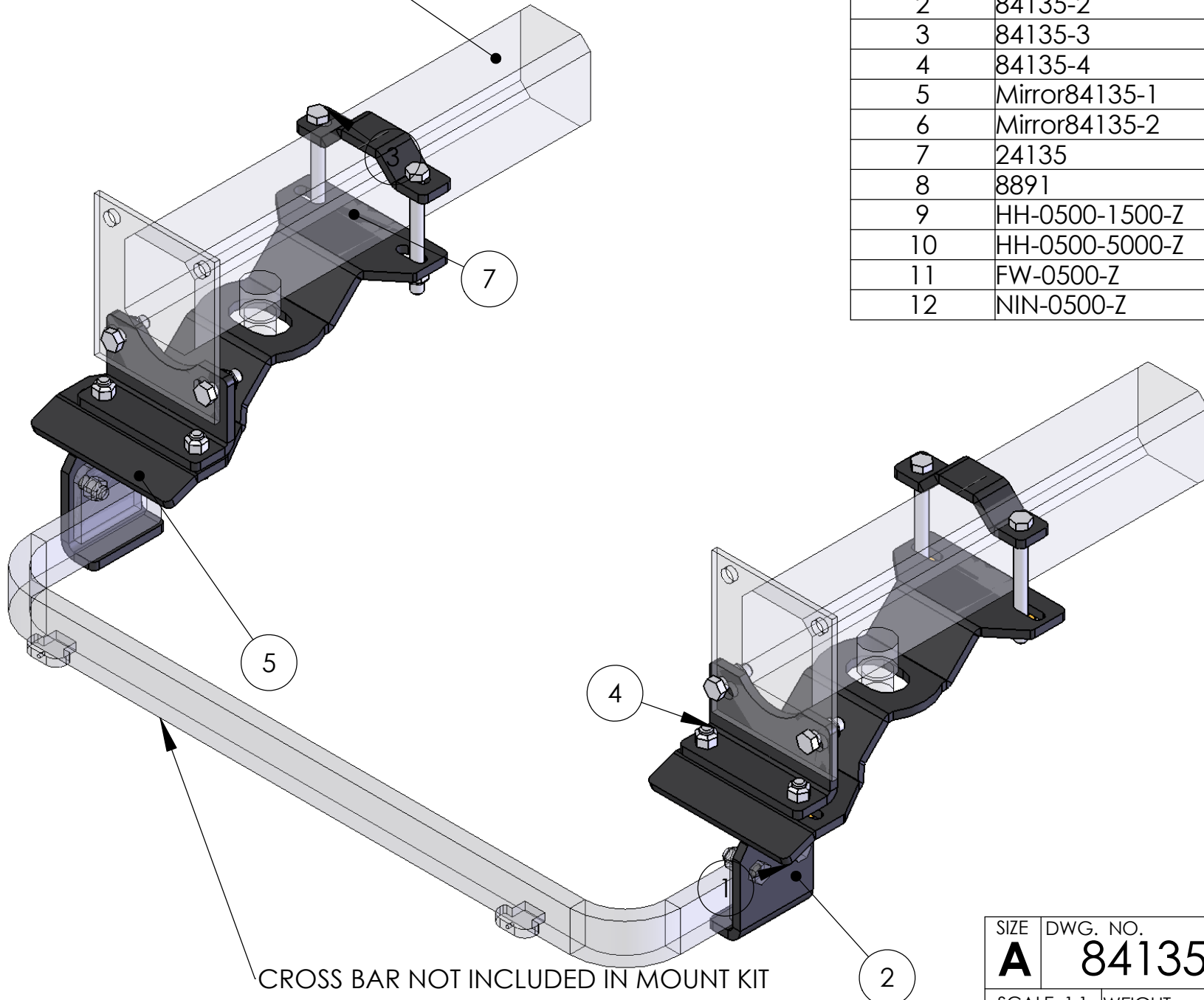


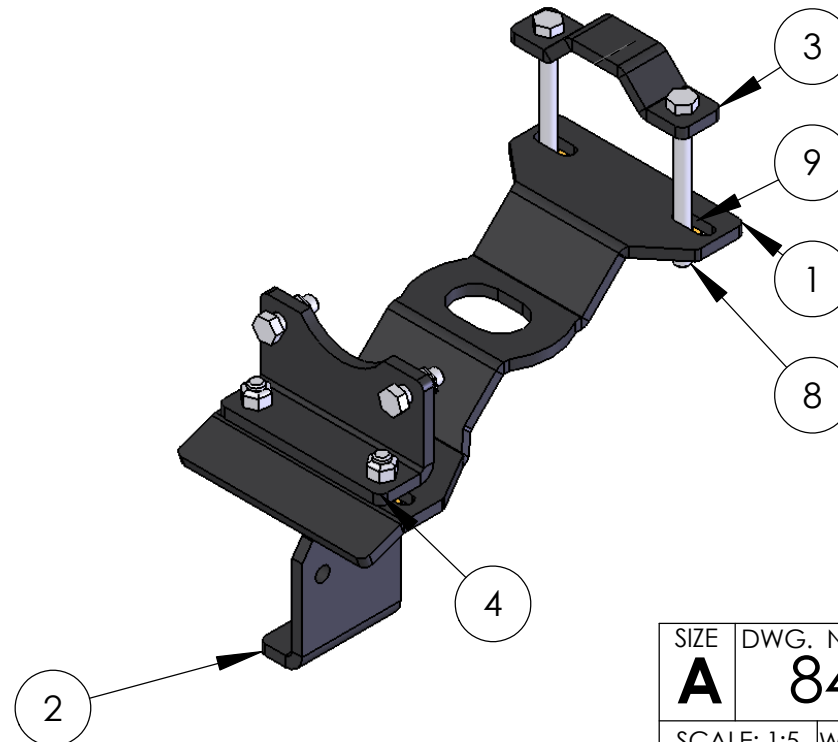
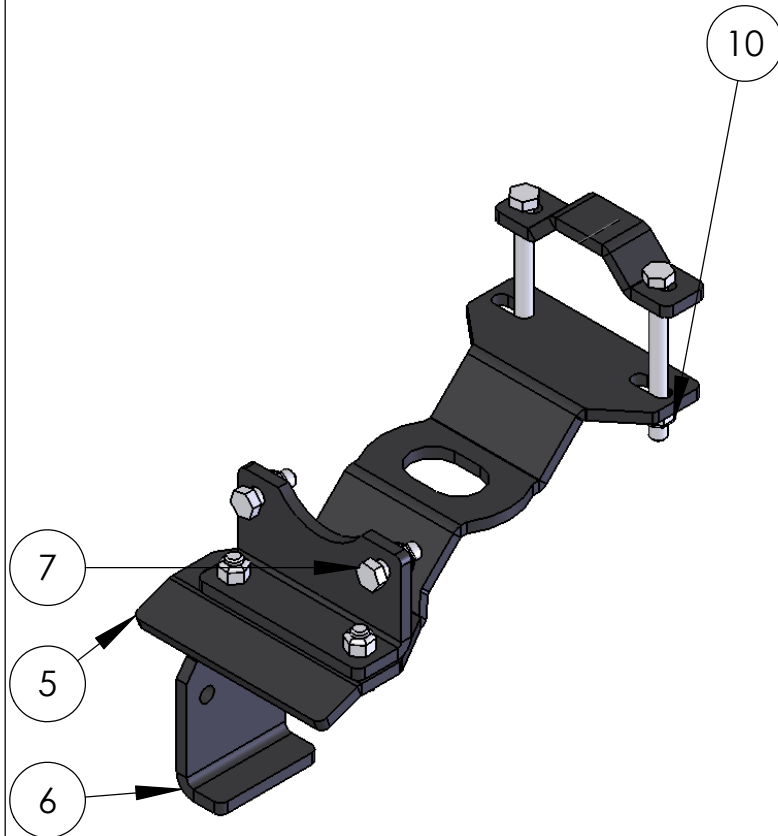
VEHICLE FRAME



ITEM NO.	PART NUMBER	Default/ QTY.
1	84135-1	1
2	84135-2	1
3	84135-3	2
4	84135-4	2
5	Mirror84135-1	1
6	Mirror84135-2	1
7	24135	2
8	8891	1
9	HH-0500-1500-Z	8
10	HH-0500-5000-Z	4
11	FW-0500-Z	8
12	NIN-0500-Z	12

SIZE A	DWG. NO. 84135-A	REV
SCALE: 1:1	WEIGHT:	SHEET 1 OF 2

ITEM NO.	PART NUMBER	MOUNT/QTY.
1	84135-1	1
2	84135-2	1
3	84135-3	2
4	84135-4	2
5	Mirror84135-1	1
6	Mirror84135-2	1
7	HH-0500-1500-Z	8
8	HH-0500-5000-Z	4
9	FW-0500-Z	8
10	NIN-0500-Z	12



5

↑

4

3

2

1

SIZE A	DWG. NO. 84135-A	REV
SCALE: 1:5	WEIGHT:	SHEET 2 OF 2