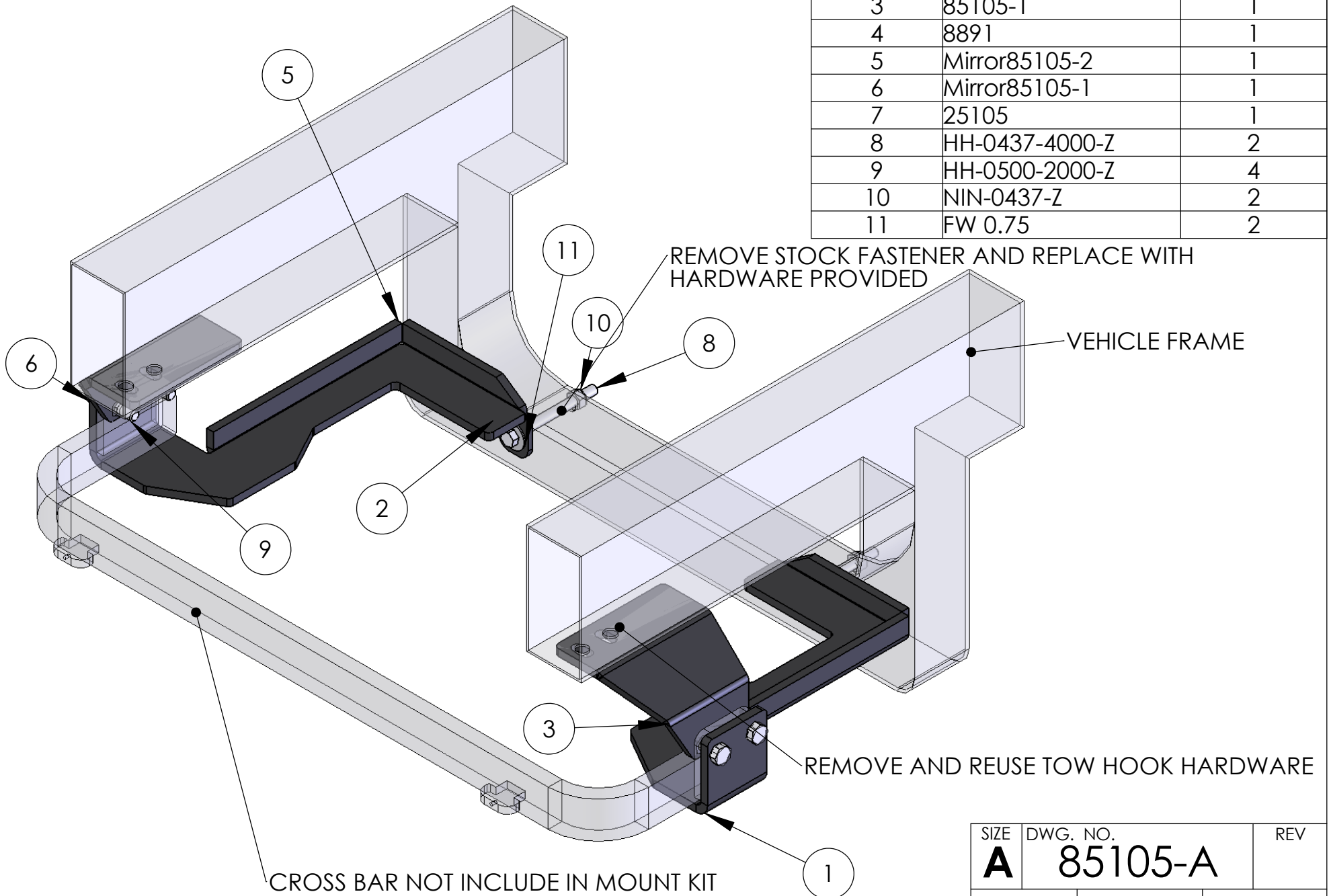
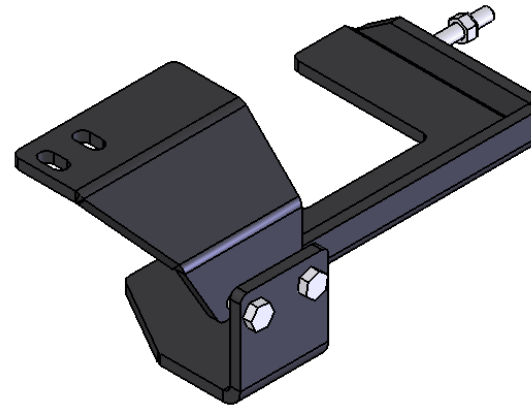
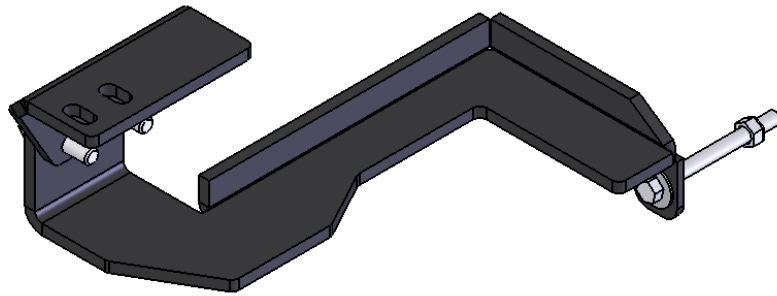


ITEM NO.	PART NUMBER	Default/QTY.
1	85105-2	1
2	85105-3	2
3	85105-1	1
4	8891	1
5	Mirror85105-2	1
6	Mirror85105-1	1
7	25105	1
8	HH-0437-4000-Z	2
9	HH-0500-2000-Z	4
10	NIN-0437-Z	2
11	FW 0.75	2



SIZE A	DWG. NO. 85105-A	REV
SCALE: 1:1	WEIGHT:	SHEET 1 OF 2

ITEM NO.	PART NUMBER	MOUNT/QTY.
1	85105-2	1
2	85105-3	2
3	85105-1	1
4	Mirror85105-2	1
5	Mirror85105-1	1
6	HH-0437-4000-Z	2
7	HH-0500-2000-Z	4
8	NIN-0437-Z	2
9	FW 0.75	2



SIZE A	DWG. NO. 85105-A	REV
SCALE: 1:5	WEIGHT:	SHEET 2 OF 2

5

↑

4

3

2

1