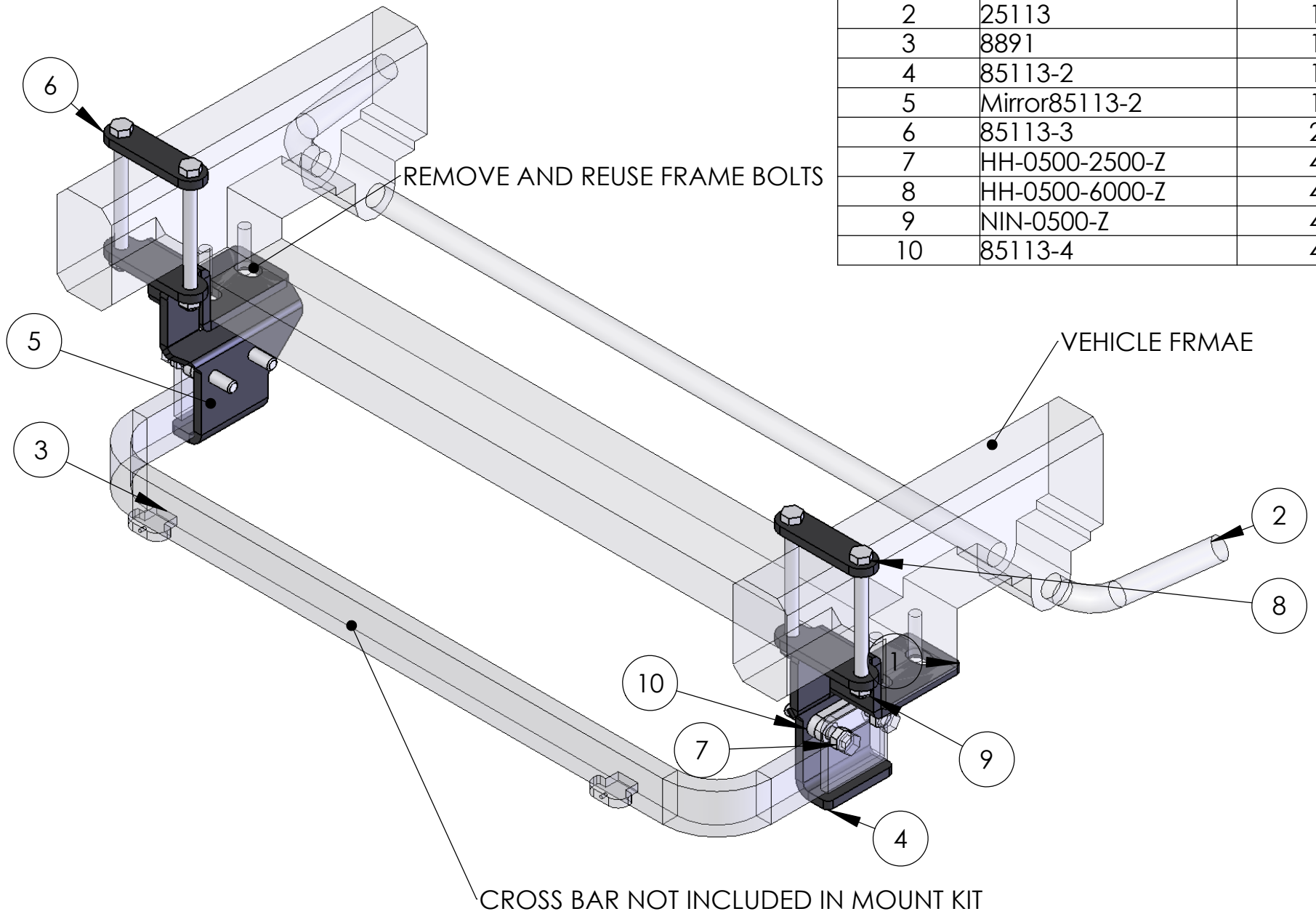
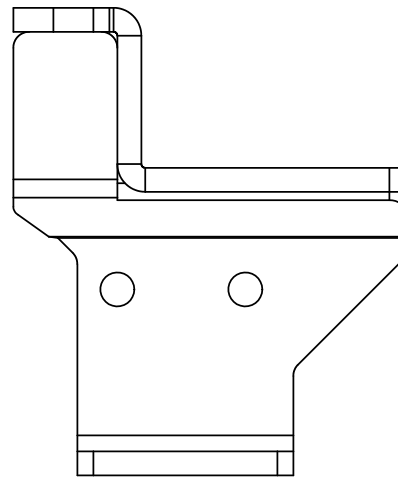
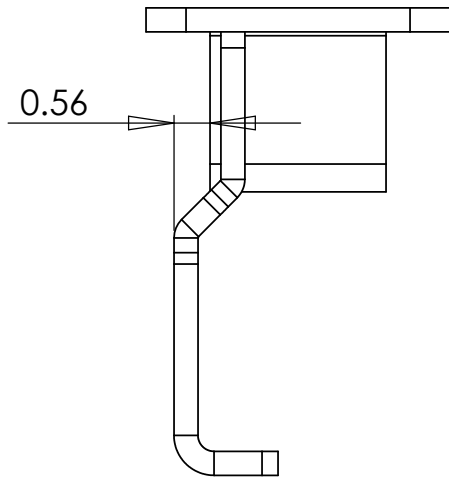
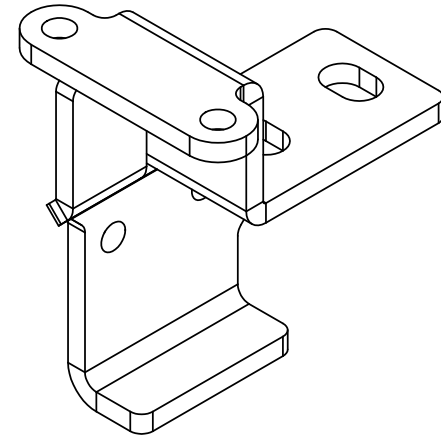
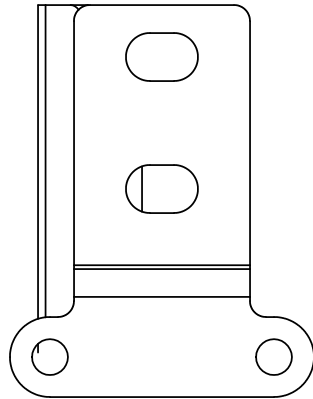


ITEM NO.	PART NUMBER	Default/QTY.
1	85113-1	2
2	25113	1
3	8891	1
4	85113-2	1
5	Mirror85113-2	1
6	85113-3	2
7	HH-0500-2500-Z	4
8	HH-0500-6000-Z	4
9	NIN-0500-Z	4
10	85113-4	4



SIZE A	DWG. NO. 85113-A	REV
SCALE: 1:10	WEIGHT:	SHEET 1 OF 2

1-LEFT AND 1-RIGHT
PAINT BLACK



SIZE A	DWG. NO. 85113	REV
SCALE: 1:10	WEIGHT:	SHEET 2 OF 2

5

↑

4

3

2

1