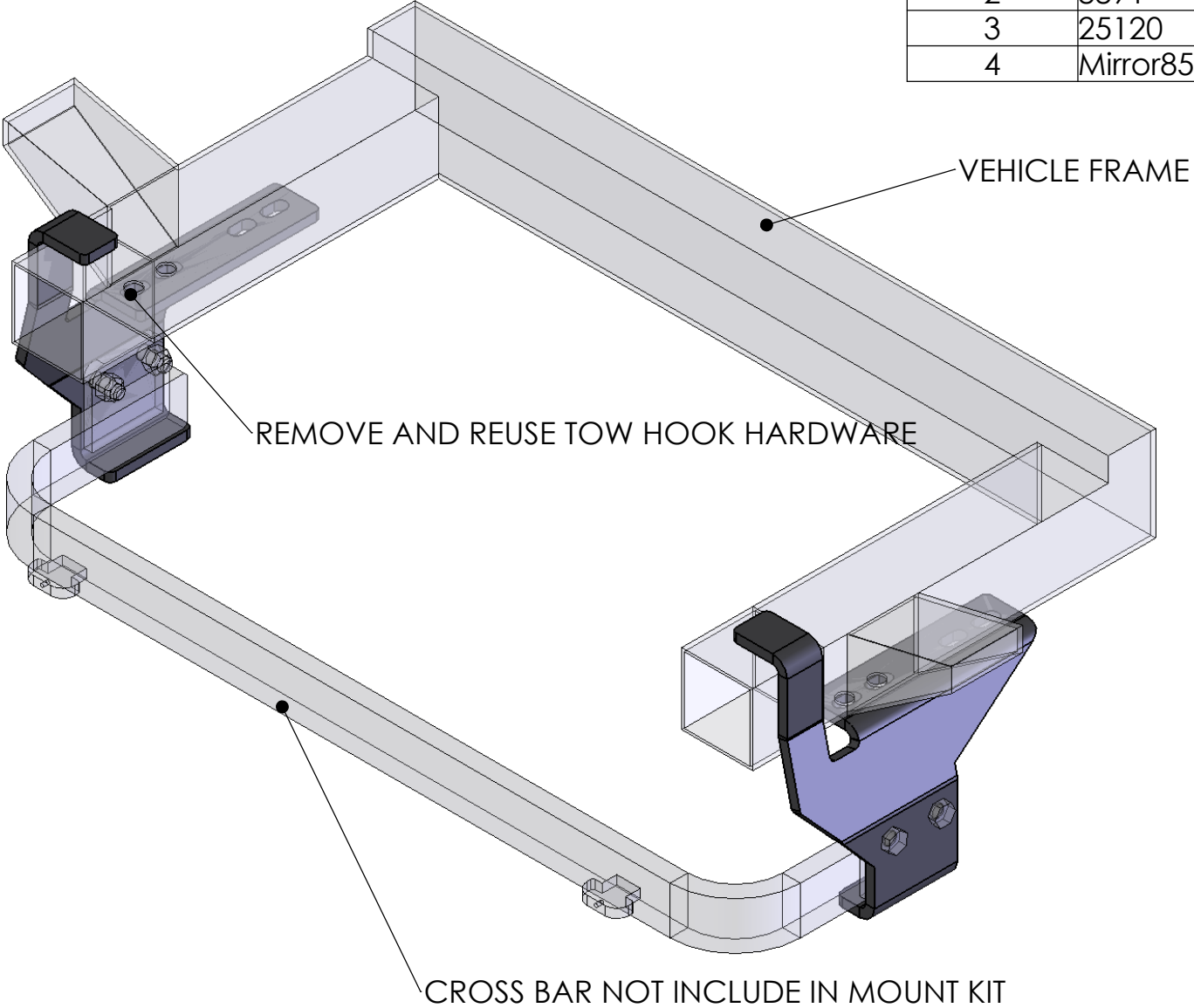
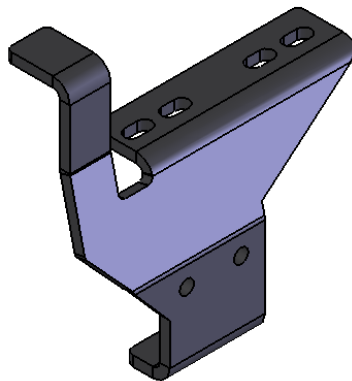
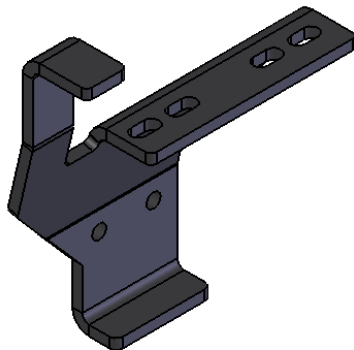


ITEM NO.	PART NUMBER	Default/ QTY.
1	85120-1	1
2	8891	1
3	25120	1
4	Mirror85120-1	1



SIZE A	DWG. NO. 85120-A	REV
SCALE: 1:1	WEIGHT:	SHEET 1 OF 2

ITEM NO.	PART NUMBER	mount/QTY.
1	85120-1	1
2	Mirror85120-1	1



SIZE	DWG. NO.	REV
A	85120-A	
SCALE: 1:5	WEIGHT:	SHEET 2 OF 2

5



4

3

2

1