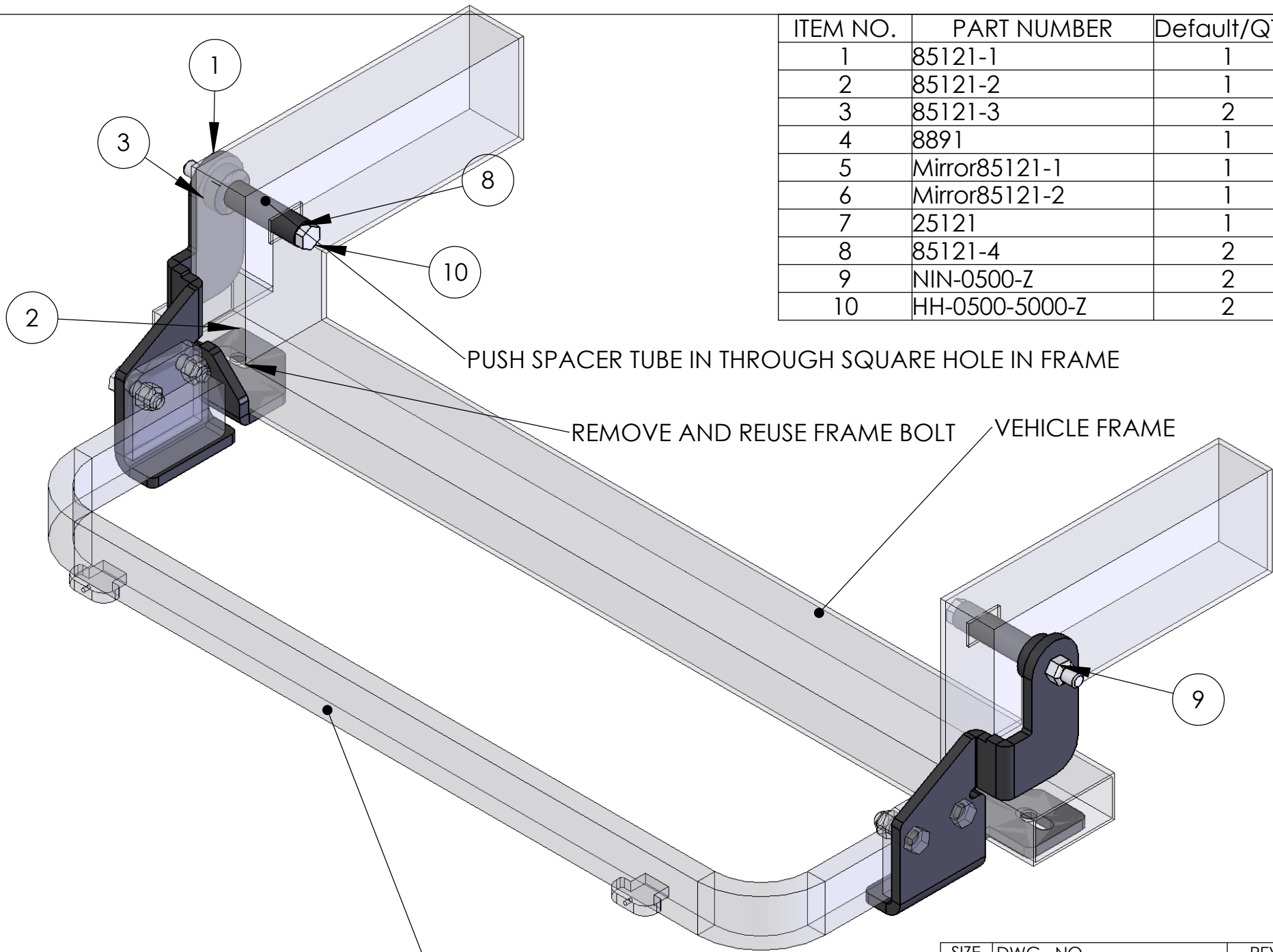


ITEM NO.	PART NUMBER	Default/QTY.
1	85121-1	1
2	85121-2	1
3	85121-3	2
4	8891	1
5	Mirror85121-1	1
6	Mirror85121-2	1
7	25121	1
8	85121-4	2
9	NIN-0500-Z	2
10	HH-0500-5000-Z	2



SIZE <b>A</b>	DWG. NO. <b>85121-A</b>	REV
SCALE: 1:1	WEIGHT:	SHEET 1 OF 2

