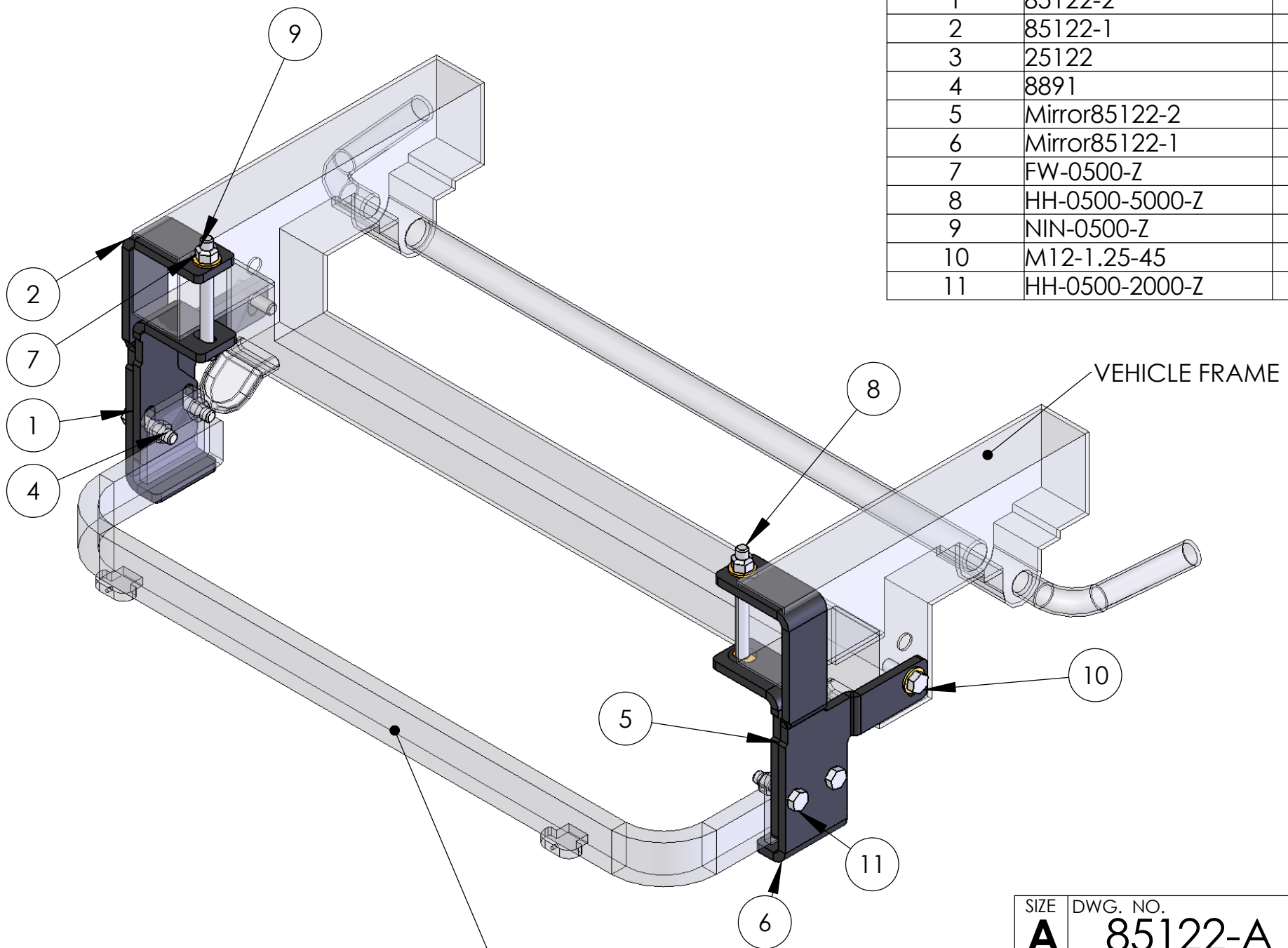


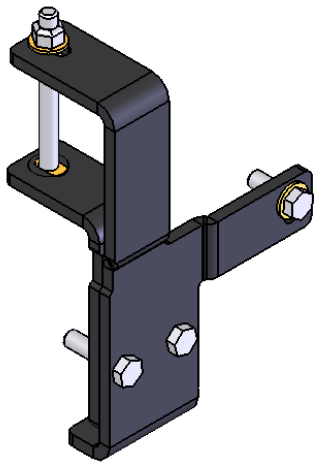
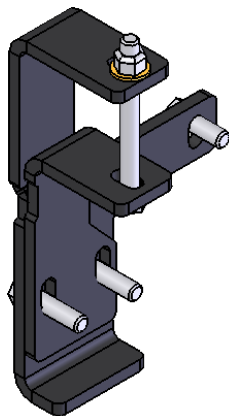
ITEM NO.	PART NUMBER	Default/ QTY.
1	85122-2	1
2	85122-1	1
3	25122	1
4	8891	1
5	Mirror85122-2	1
6	Mirror85122-1	1
7	FW-0500-Z	6
8	HH-0500-5000-Z	2
9	NIN-0500-Z	2
10	M12-1.25-45	2
11	HH-0500-2000-Z	4



CROSS BAR NOT INCLUDED IN MOUNT KIT

SIZE A	DWG. NO. 85122-A	REV
SCALE: 1:1	WEIGHT:	SHEET 1 OF 2

ITEM NO.	PART NUMBER	mount/QTY.
1	85122-2	1
2	85122-1	1
3	Mirror85122-2	1
4	Mirror85122-1	1
5	FW-0500-Z	6
6	HH-0500-5000-Z	2
7	NIN-0500-Z	2
8	M12-1.25-45	2
9	HH-0500-2000-Z	4



SIZE A	DWG. NO. 85122-A	REV
SCALE: 1:5	WEIGHT:	SHEET 2 OF 2

5



4

3

2

1