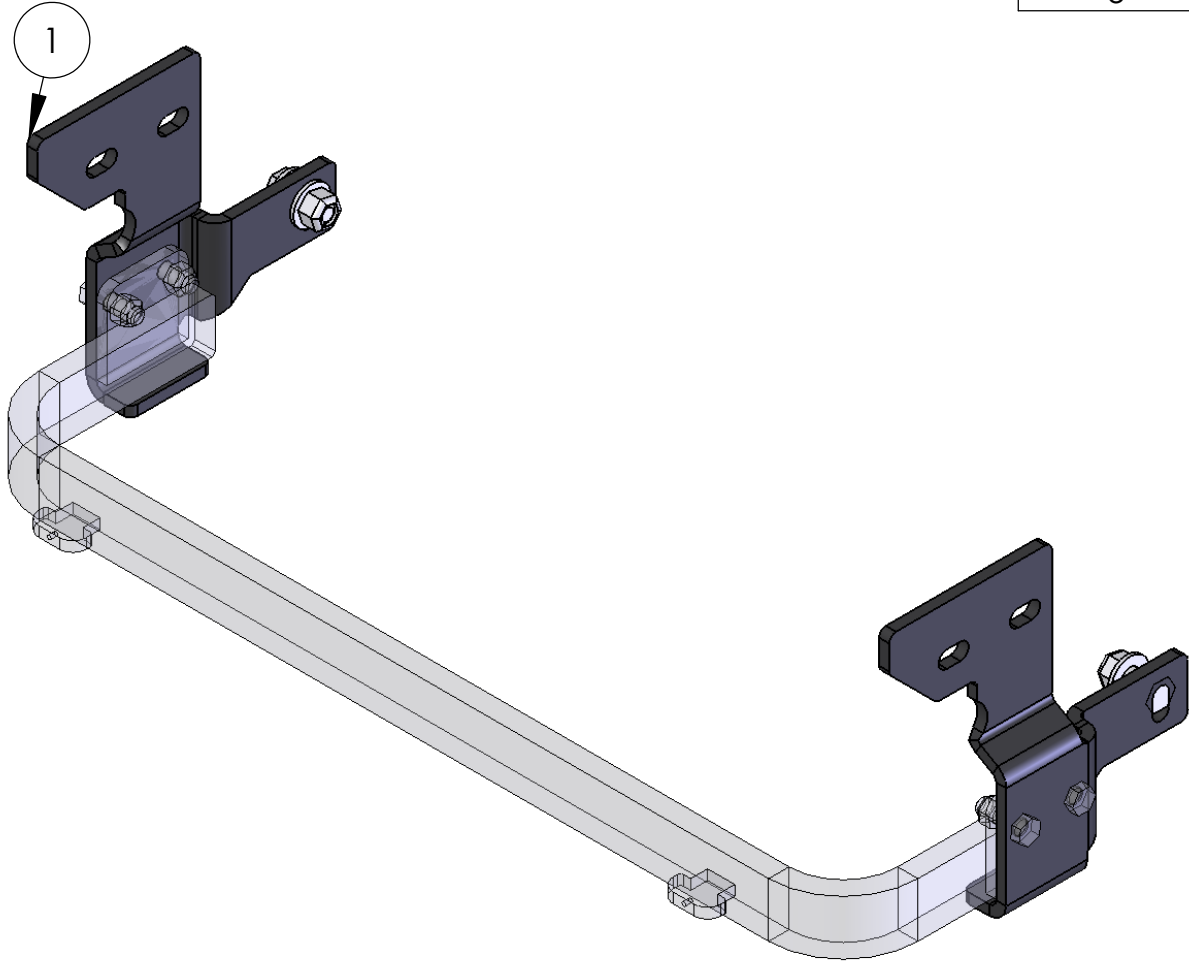


ITEM NO.	PART NUMBER	Default/ QTY.
1	86105-1	1
2	FW-0625-Z	4
3	HH-0625-1500-Z	2
4	NIN-0625-Z	2
5	Mirror86105-1	1
6	8891	1



SIZE A	DWG. NO. 86105-A	REV
SCALE: 1:1	WEIGHT:	SHEET 1 OF 1

5



4

3

2

1