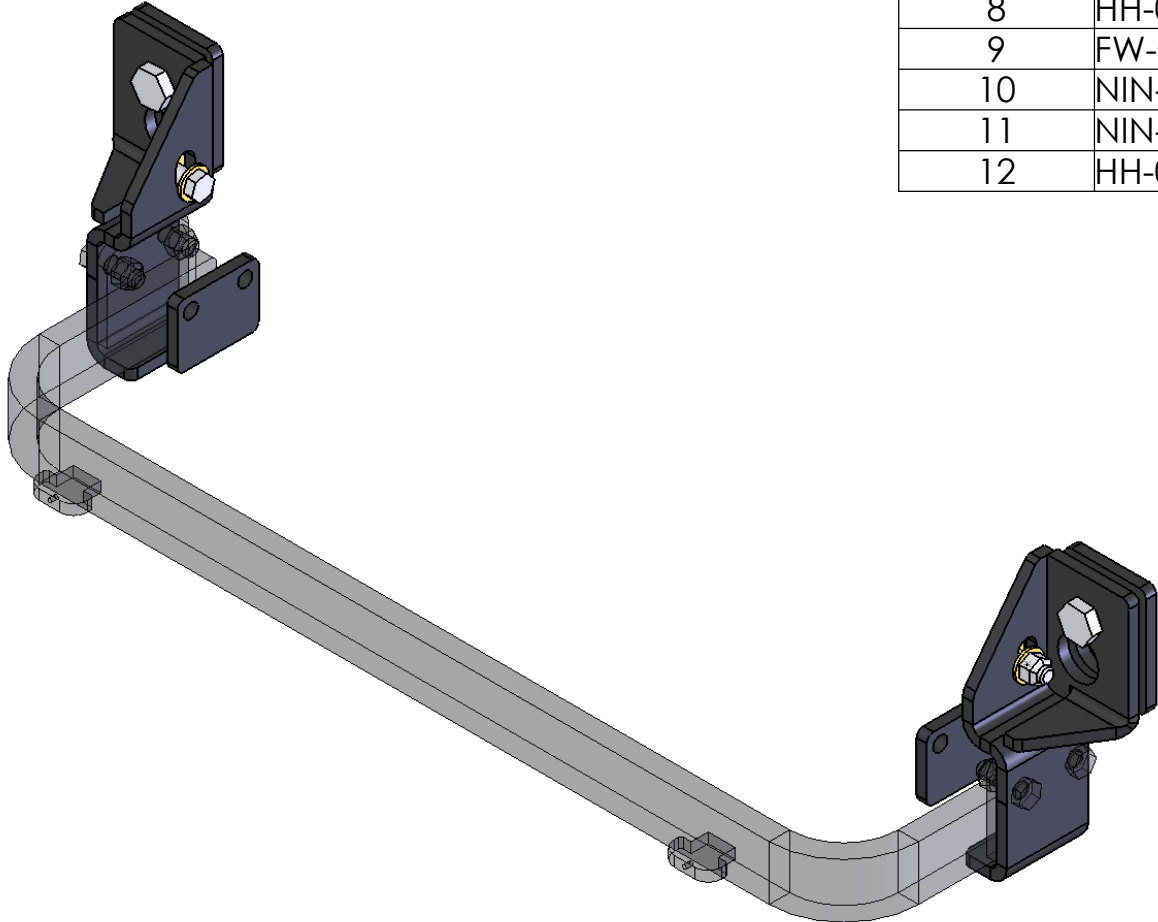


ITEM NO.	PART NUMBER	Default/QTY.
1	86106-1	1
2	86106-2	1
3	86106-3	2
4	86106-4	2
5	8891	1
6	Mirror86106-1	1
7	Mirror86106-2	1
8	HH-0500-1500-Z	2
9	FW-0500-Z	4
10	NIN-0500-Z	2
11	NIN-0750-Z	2
12	HH-0750-2000-FTZ	2



SIZE <b>A</b>	DWG. NO. <b>86106-A</b>	REV
SCALE: 1:1	WEIGHT:	SHEET 1 OF 2

5

↑

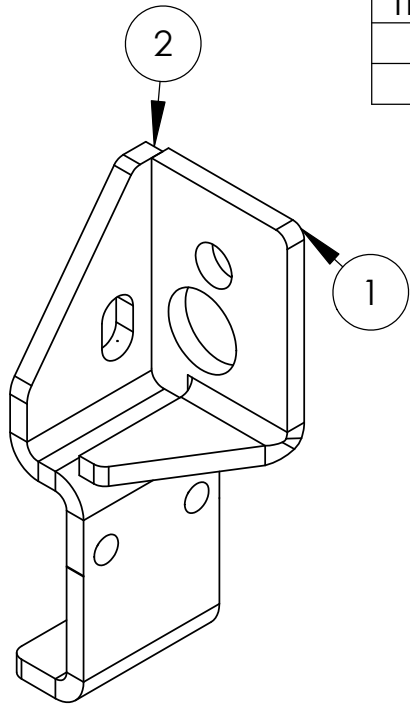
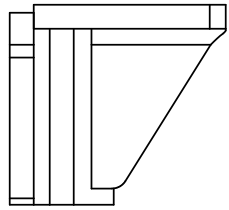
4

3

2

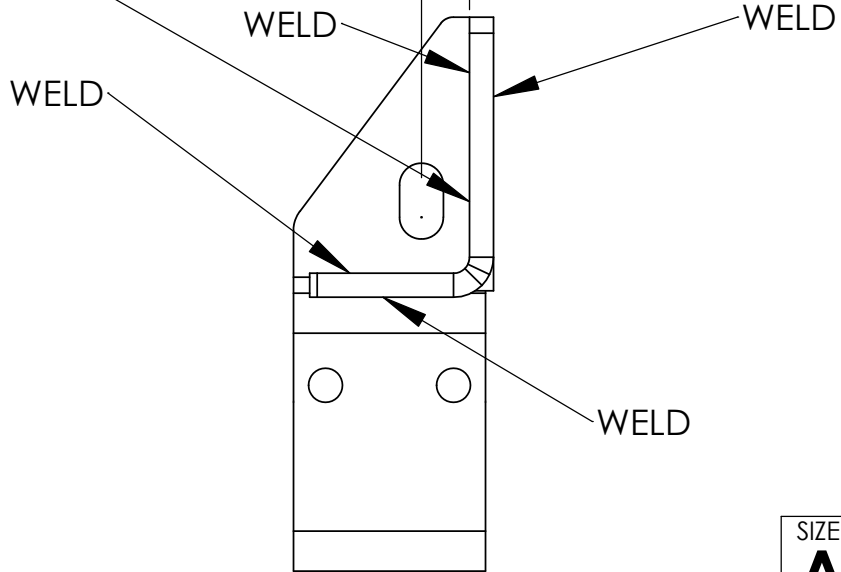
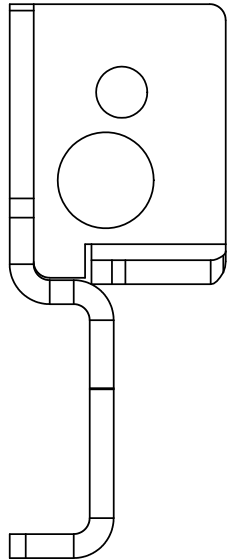
1

ITEM NO.	PART NUMBER	WELDMENT/QTY.
1	86106-1	1
2	86106-2	1



NO WELD BY HOLE

0.75



SIZE <b>A</b>	DWG. NO. <b>86106-A</b>	REV
SCALE: 1:1	WEIGHT:	SHEET 2 OF 2