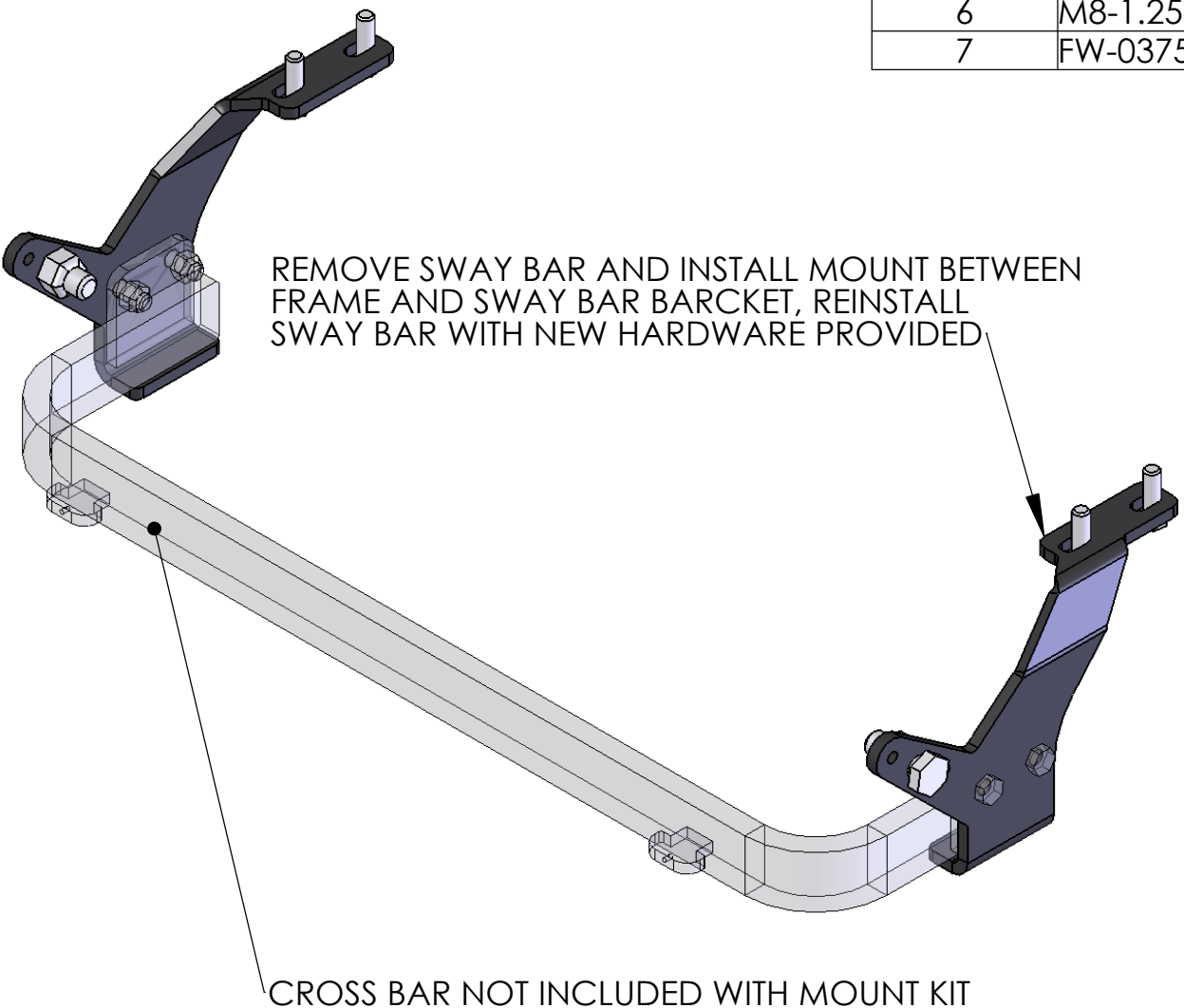
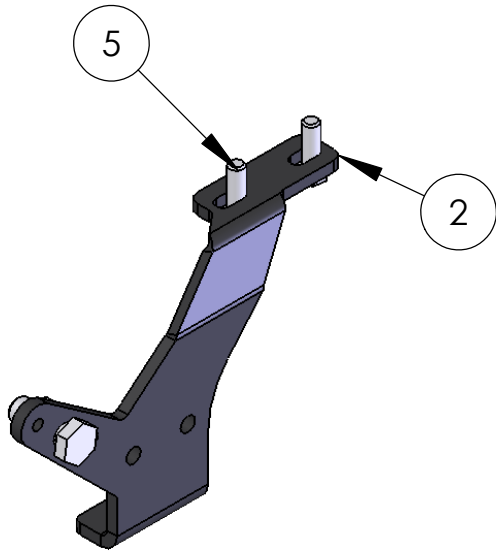
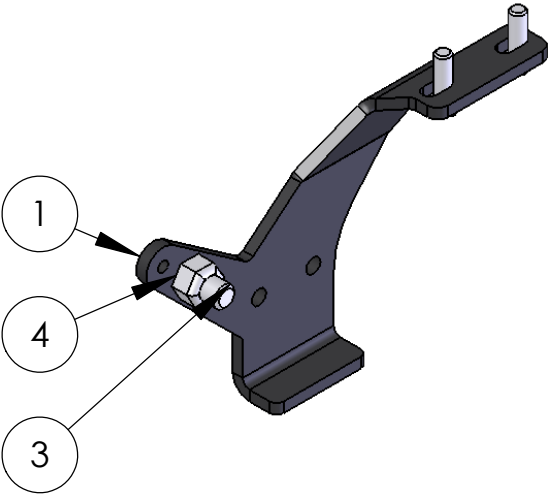


ITEM NO.	PART NUMBER	Default/ QTY.
1	86109-1	1
2	Mirror86109-1	1
3	8891	1
4	HH-0750-1500-Z	2
5	NIN-0750-Z	2
6	M8-1.25-40	4
7	FW-0375-Z	4



SIZE A	DWG. NO. 86109-A	REV
SCALE: 1:1	WEIGHT:	SHEET 1 OF 2

ITEM NO.	PART NUMBER	mount/QTY.
1	86109-1	1
2	Mirror86109-1	1
3	HH-0750-1500-Z	2
4	NIN-0750-Z	2
5	M8-1.25-40	4
6	FW-0375-Z	4



SIZE A	DWG. NO. 86109-A	REV
SCALE: 1:5	WEIGHT:	SHEET 2 OF 2