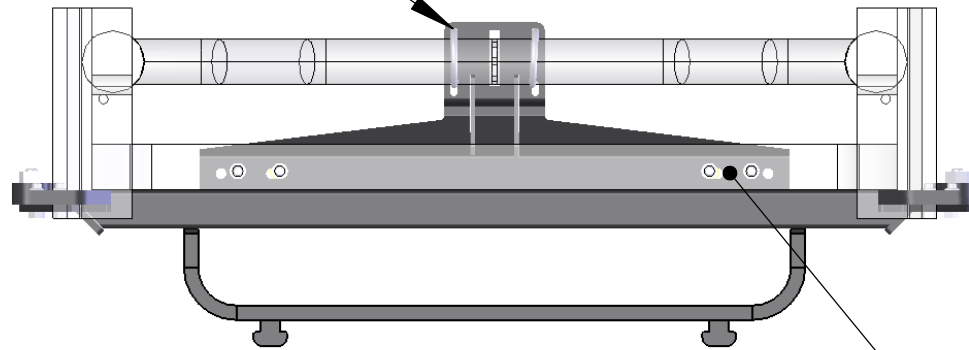


2013 MODELS AND NEWER MAY REQUIRE INSTALLER TO DRILL HOLES IN LOWER PLASTIC GUARD TO ALLOW ACCESS TO MOUNT LOCATIONS. 2012 AND OLDER HAVE FACTORY HOLES IN GUARD.

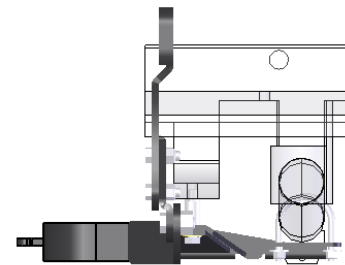
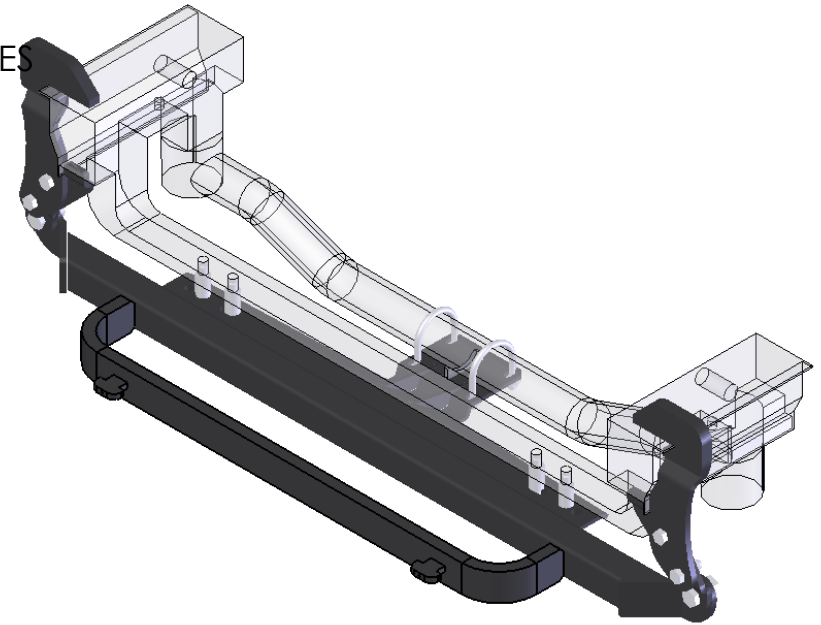
U-BOLTS CLAMP AROUND CROSS TUBE



REMOVE EXISTING HARDWARE AND RE-INSTALL PROVIDED



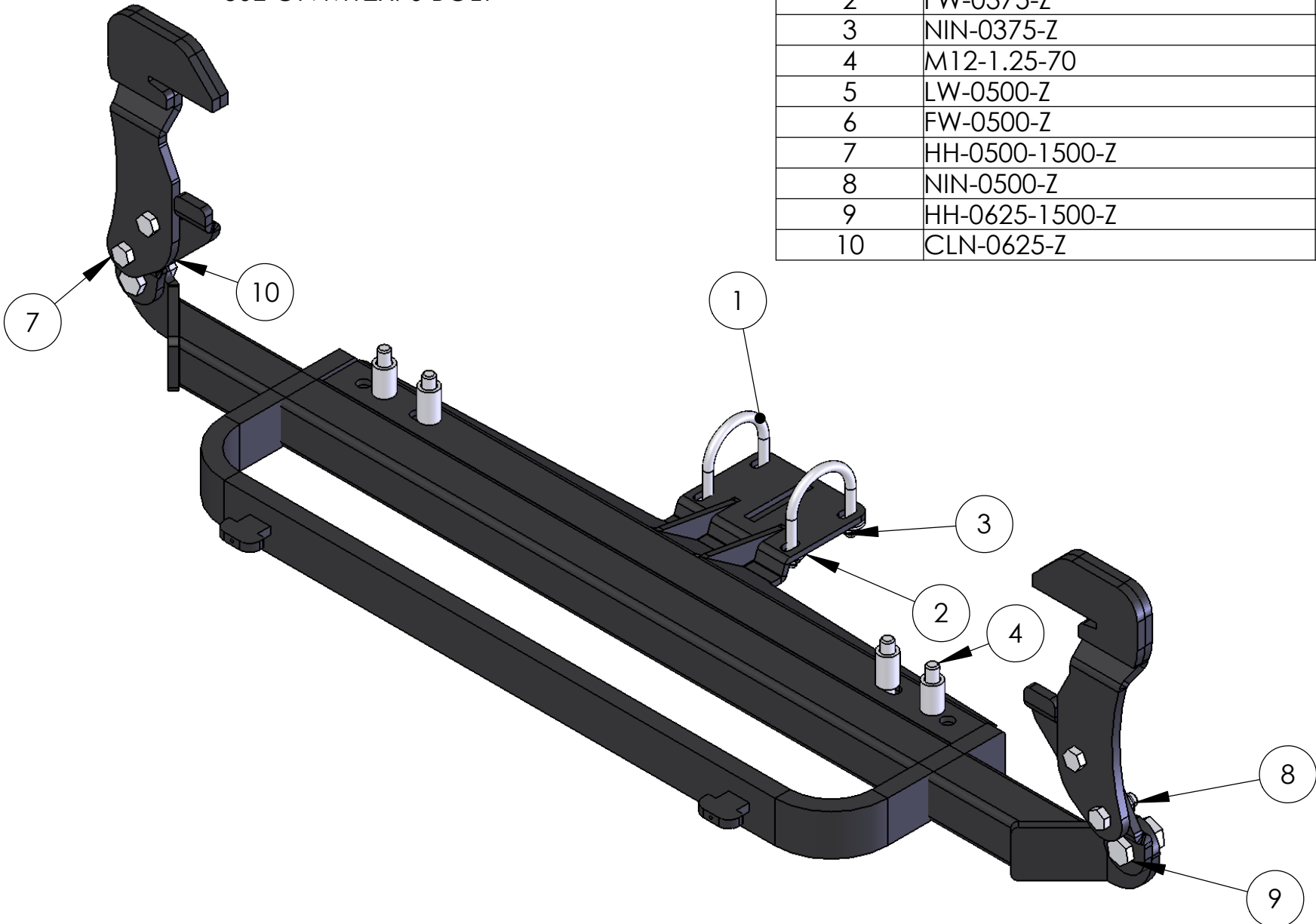
TABS WILL PASS THROUGH A HALF MOON CUTOUT ON THE FRONT BUMPER WRAP, THERE IS ALSO A SQUARE NOTCH IN THE BOTTOM PLASTIC COVER IN WHICH NEEDS TO BE CUT LARGER FOR THE TAB .
INSTALL FRONT FRAME BRACKETS AND CLAMPS, RE-INSTALL PLASTIC, THEN COMPLETE INSTALL OF MOUNT



SIZE A	DWG. NO. 86110-A	REV
SCALE: 1:10	WEIGHT:	SHEET 1 OF 2

1/2 LOCK WASKER AND FLAT WASHER
USE ON M12X70 BOLT

ITEM NO.	PART NUMBER	mount/QTY.
1	UB-0375-2375-3000-Z-FLATENED	2
2	FW-0375-Z	4
3	NIN-0375-Z	4
4	M12-1.25-70	4
5	LW-0500-Z	4
6	FW-0500-Z	4
7	HH-0500-1500-Z	4
8	NIN-0500-Z	4
9	HH-0625-1500-Z	2
10	CLN-0625-Z	2



SIZE A	DWG. NO. 86110-A	REV
SCALE: 1:10	WEIGHT:	SHEET 2 OF 2

5 4 3 2 1