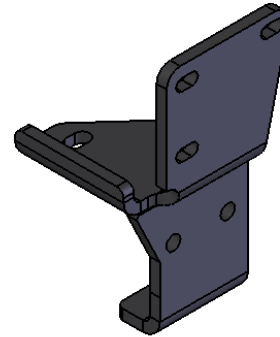
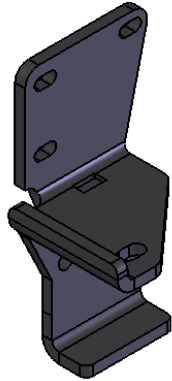


ITEM NO.	PART NUMBER	MOUNT/QTY.
1	86615-2	1
2	86615-1	1
3	Mirror86615-1	1
4	Mirror86615-2	1



SIZE A	DWG. NO. 86615-A	REV
SCALE: 1:5	WEIGHT:	SHEET 1 OF 2

5

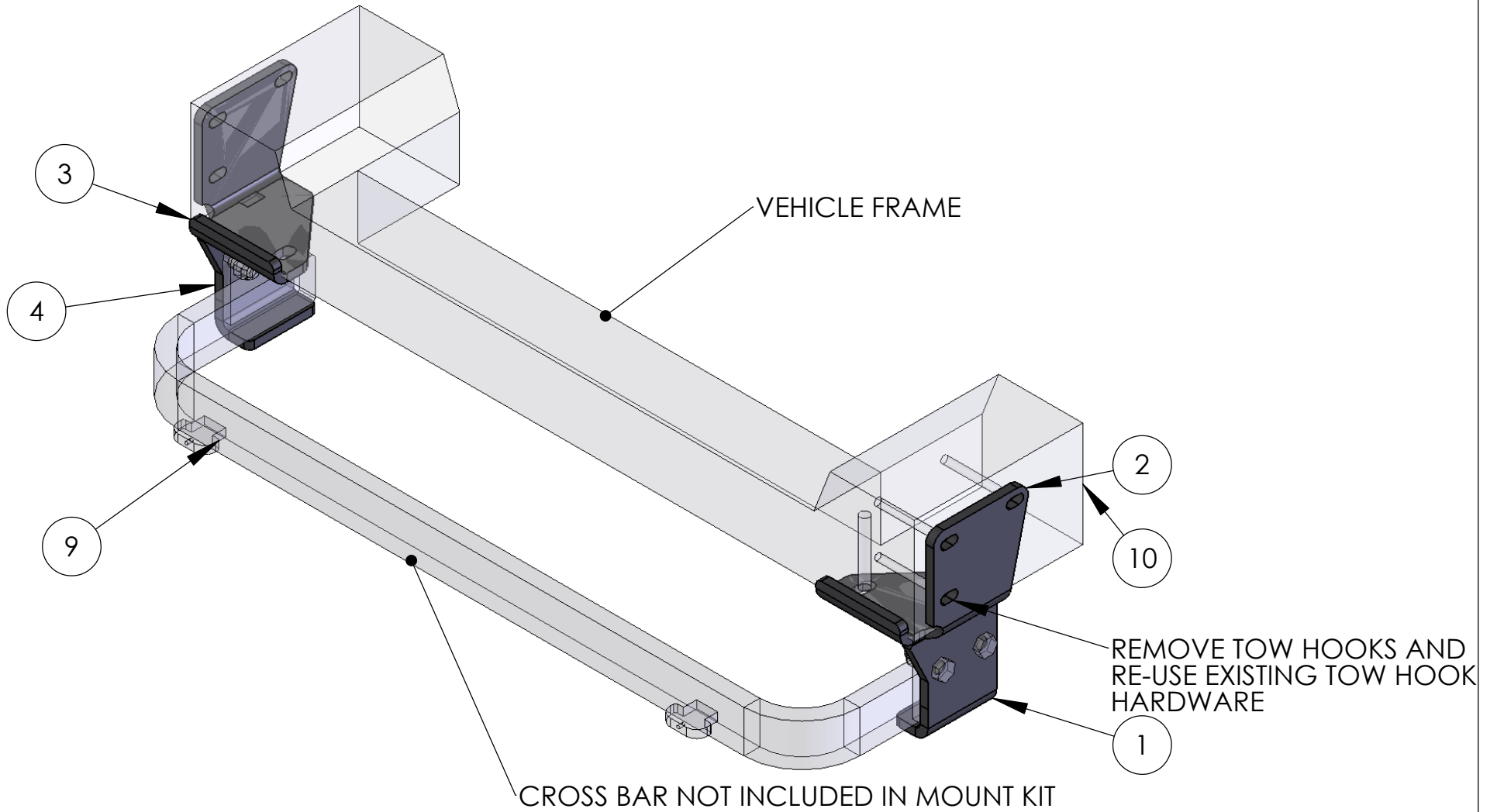


4

3

2

1



SIZE A	DWG. NO. 86615-A	REV
SCALE: 1:1	WEIGHT:	SHEET 2 OF 2