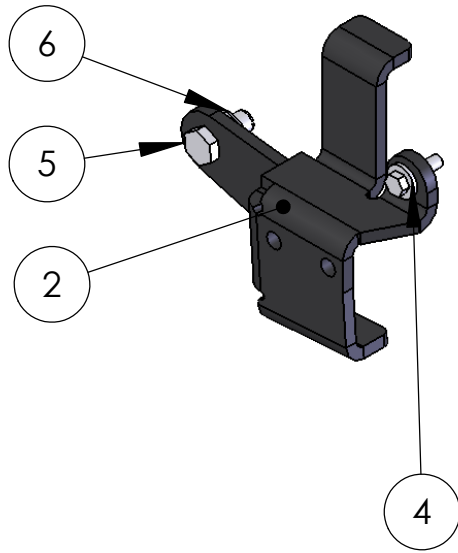
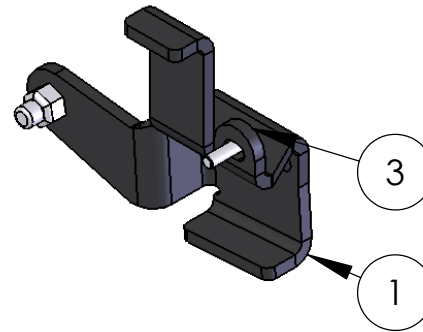


ITEM NO.	PART NUMBER	mount/QTY.
1	86620-1	1
2	Mirror86620-1	1
3	M10-1.25-40-Z	2
4	FW-0375-Z	2
5	HH-0625-1500-Z	2
6	NIN-0625-Z	2



SIZE A	DWG. NO. 86620-A	REV
SCALE: 1:1	WEIGHT:	SHEET 1 OF 2

5

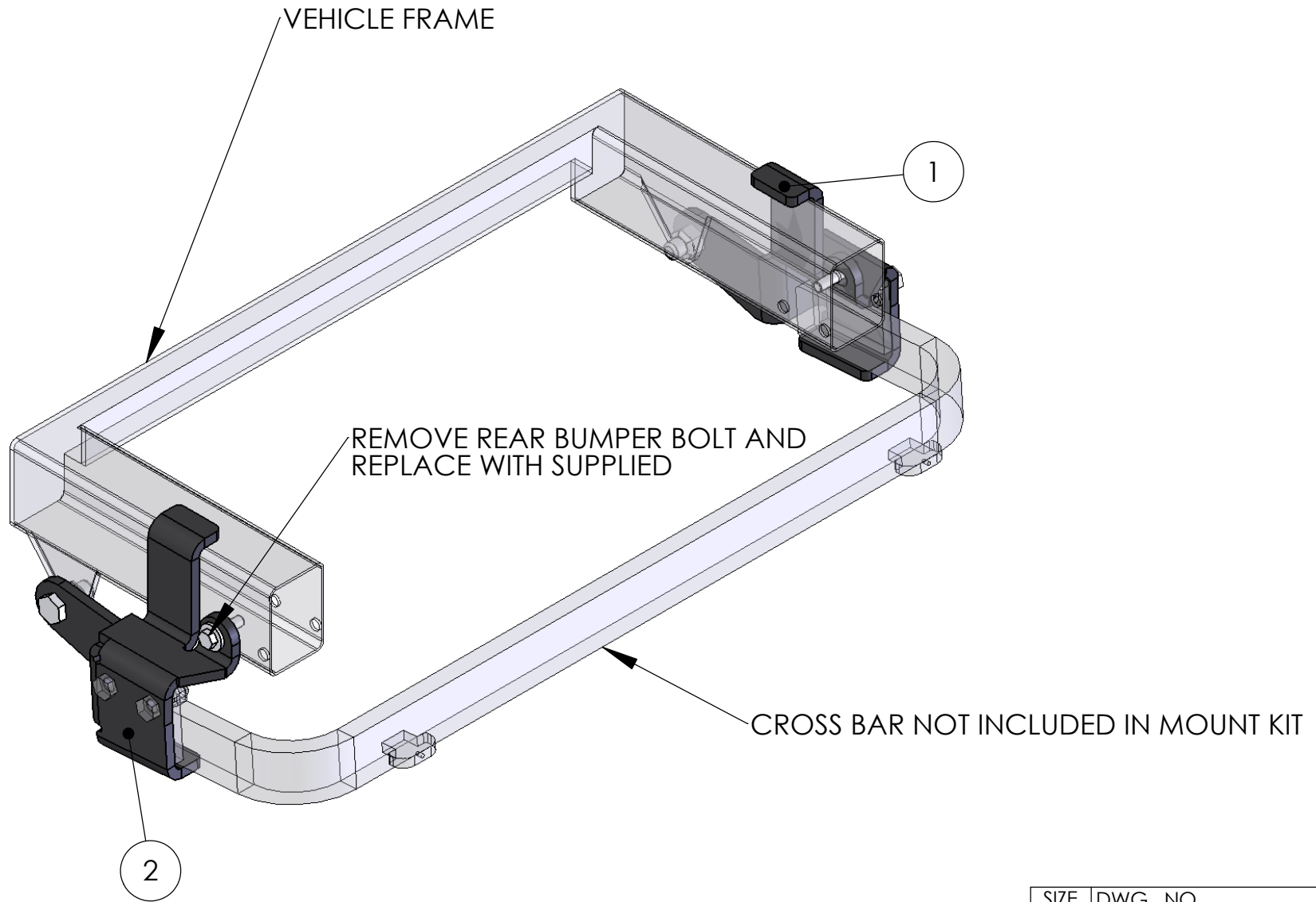
↑

4

3

2

1



SIZE	DWG. NO.	REV
A	86620-A	
SCALE: 1:1	WEIGHT:	SHEET 2 OF 2