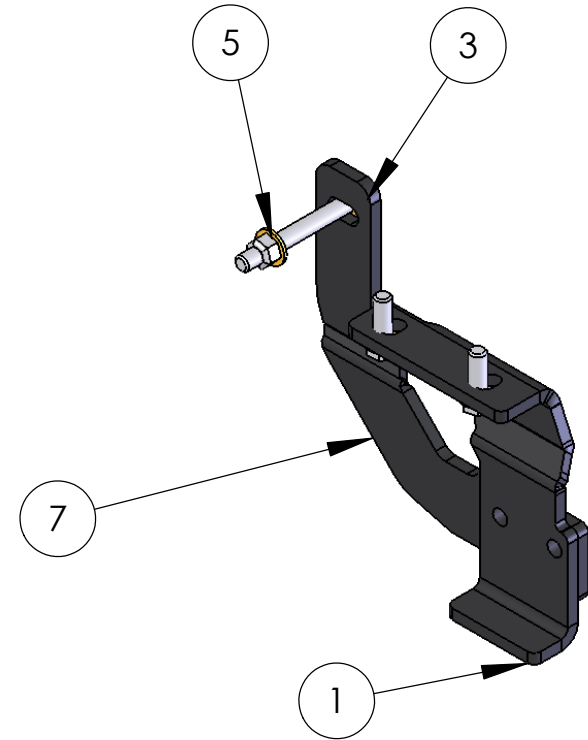
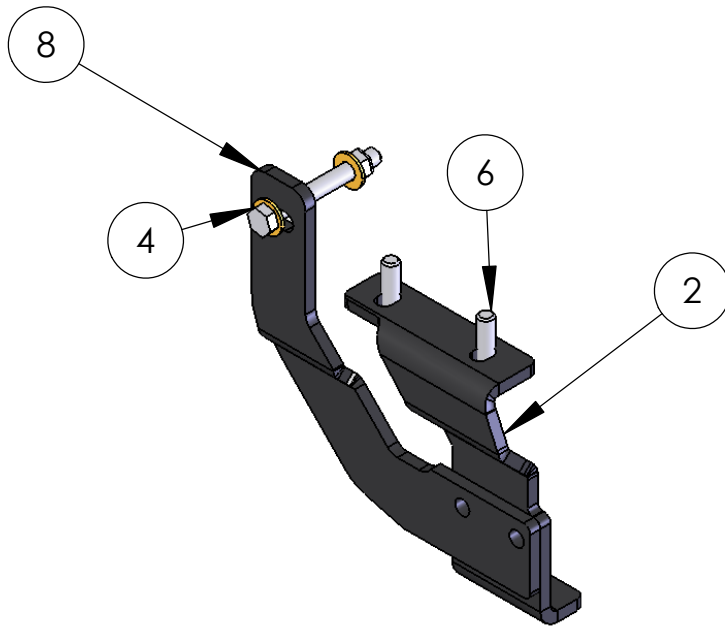


ITEM NO.	PART NUMBER	MOUNT/QTY.
1	86621-1	1
2	Mirror86621-1	1
3	HH-0500-4000-Z	2
4	FW-0500-Z	8
5	NIN-0500-Z	2
6	M12-1.25-45	4
7	86621-2	1
8	Mirror86621-2	1
9	HH-0500-2000-Z	4



SIZE A	DWG. NO. 86621-A	REV
SCALE: 1:1	WEIGHT:	SHEET 1 OF 2

5

↑

4

3

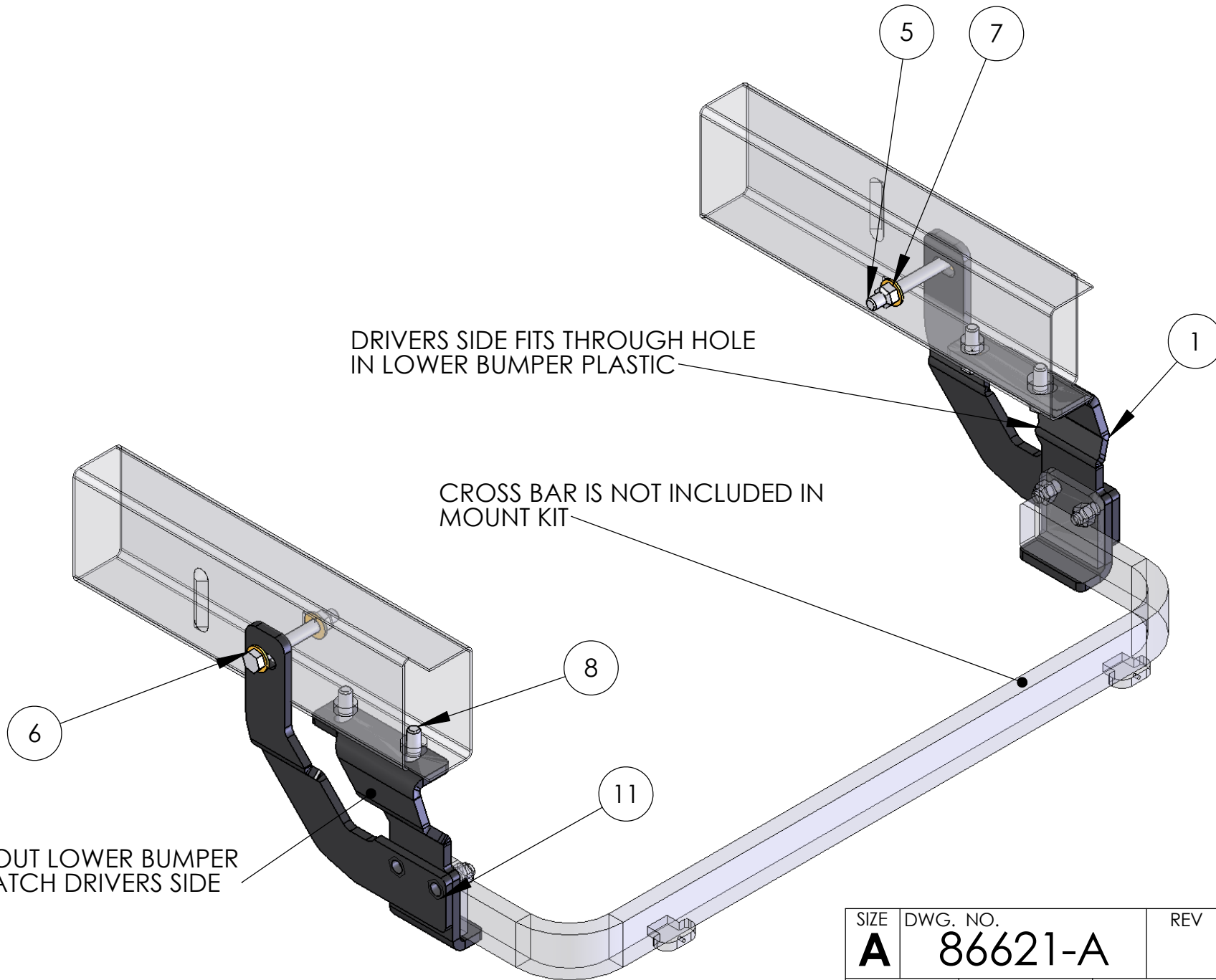
2

1

DRIVERS SIDE FITS THROUGH HOLE
IN LOWER BUMPER PLASTIC

CROSS BAR IS NOT INCLUDED IN
MOUNT KIT

NEED TO CUT OUT LOWER BUMPER
PLASTIC TO MATCH DRIVERS SIDE



SIZE	DWG. NO.	REV
A	86621-A	
SCALE: 1:1	WEIGHT:	SHEET 2 OF 2