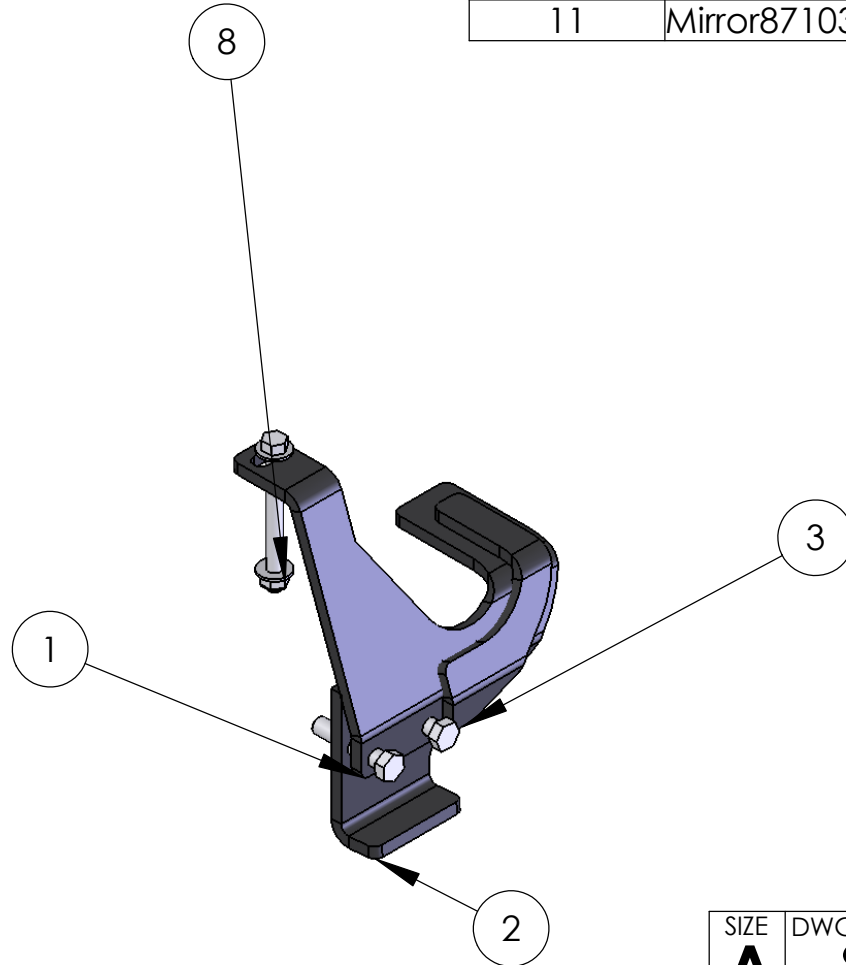
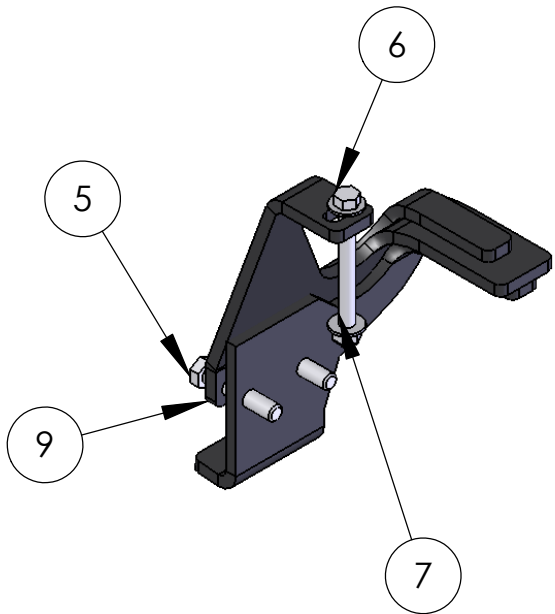


ITEM NO.	PART NUMBER	MOUNT/QTY.
1	87103-1	1
2	87103-2	1
3	87103-3	1
4	87103-4	2
5	HH-0500-2500-Z	4
6	HH-0437-4000-Z	2
7	FW 0.375	4
8	NIN-0437-Z	2
9	Mirror87103-1	1
10	Mirror87103-2	1
11	Mirror87103-3	1



SIZE A	DWG. NO. 87103-A	REV
SCALE: 1:5	WEIGHT:	SHEET 1 OF 2

5

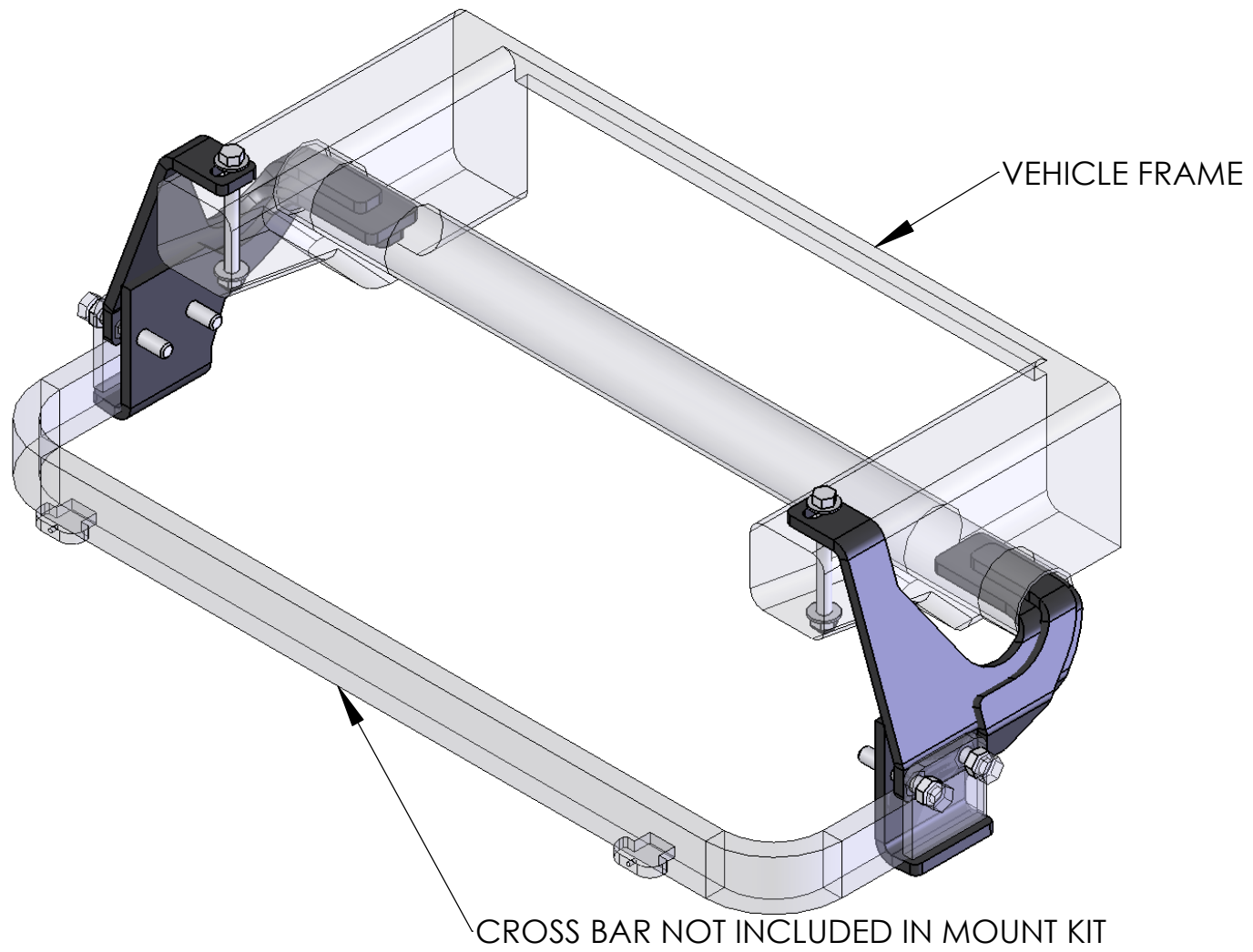
↑

4

3

2

1



SIZE	DWG. NO.	REV
A	87103-A	
SCALE: 1:1	WEIGHT:	SHEET 2 OF 2

5

↑

4

3

2

1