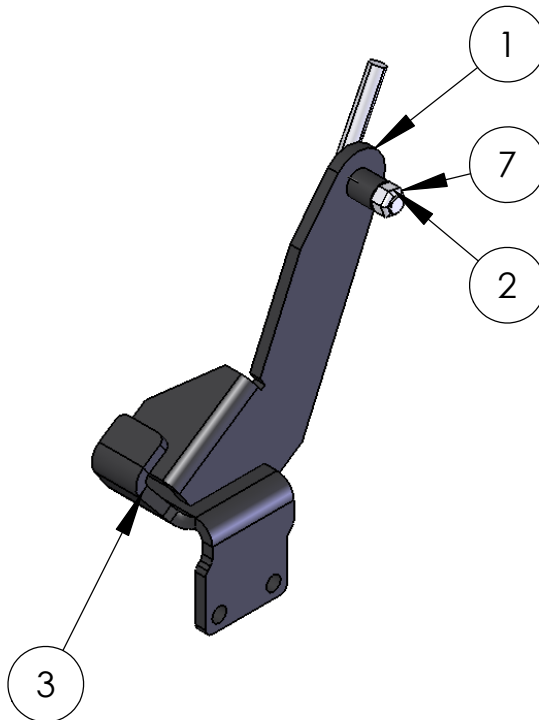
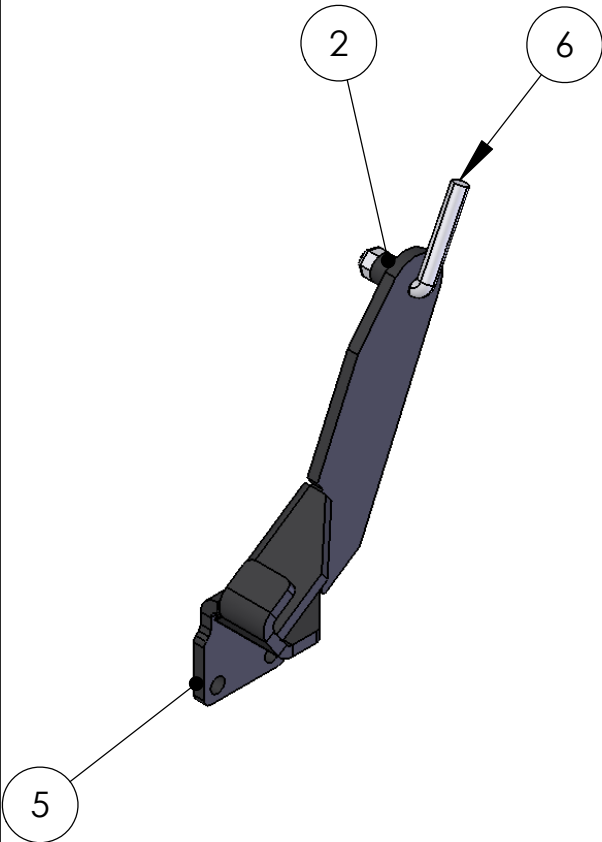
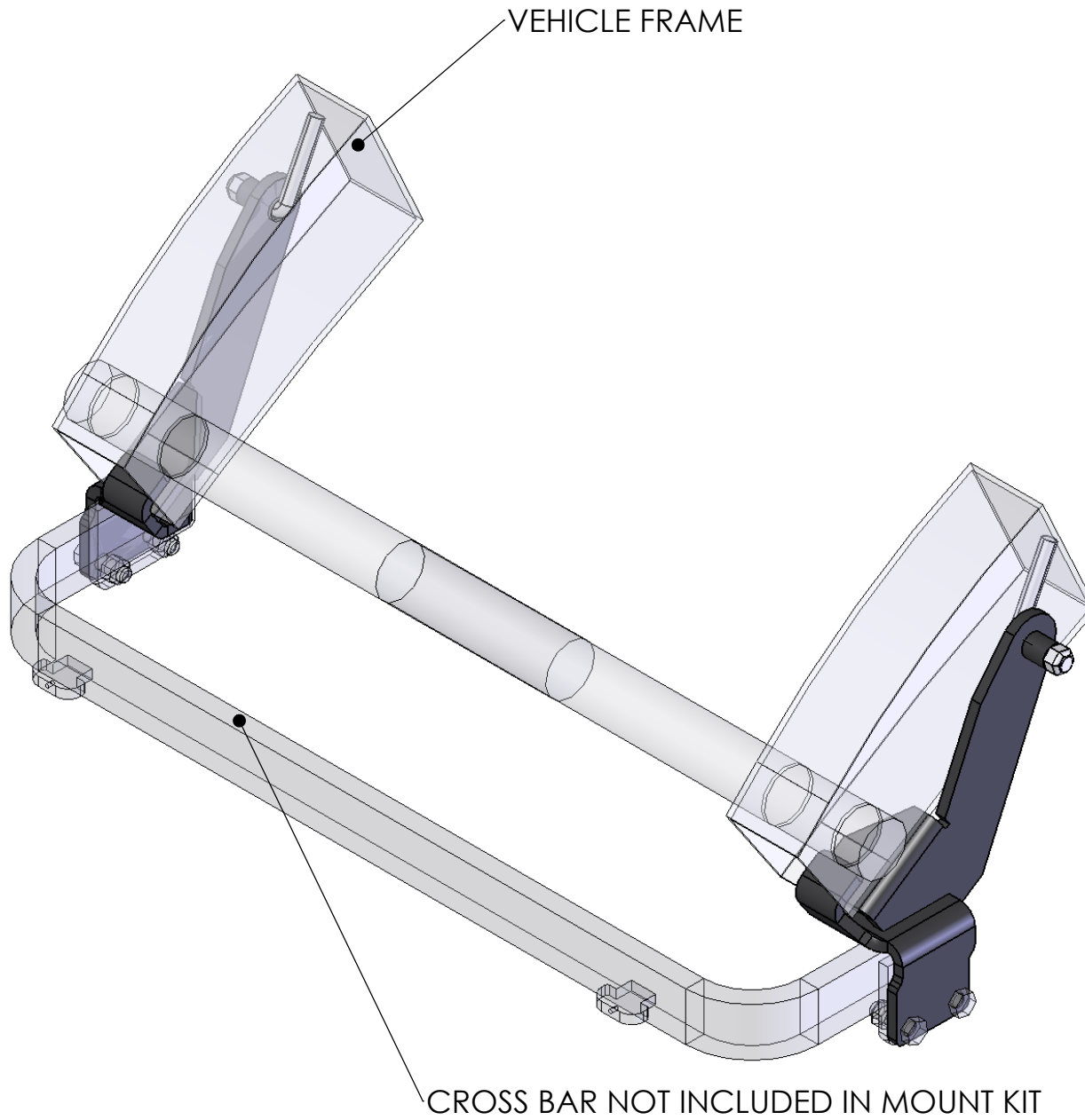


ITEM NO.	PART NUMBER	mount/QTY.
1	88611-1	1
2	88611-2	2
3	88611-3	1
4	Mirror88611-1	1
5	Mirror88611-3	1
6	LB-0500-2000-3000-Z	2
7	NIN-0500-Z	2



SIZE <b>A</b>	DWG. NO. <b>88611-A</b>	REV
SCALE: 1:1	WEIGHT:	SHEET 1 OF 2

5      ↑      4      3      2      1



VEHICLE FRAME

CROSS BAR NOT INCLUDED IN MOUNT KIT

SIZE	DWG. NO.	REV
<b>A</b>	<b>88611-A</b>	
SCALE: 1:1	WEIGHT:	SHEET 2 OF 2

5

↑

4

3

2

1