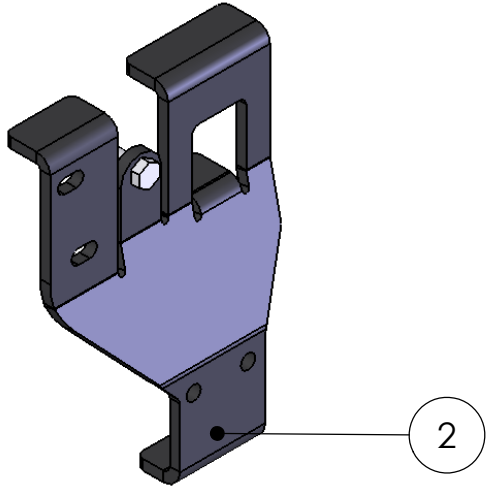
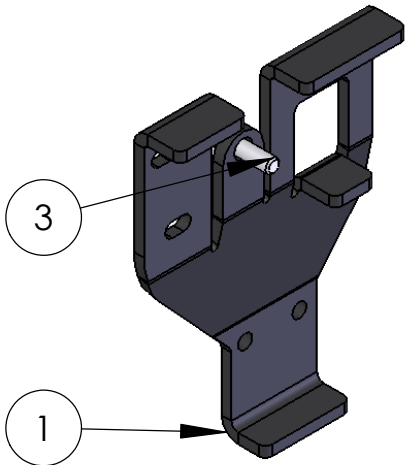
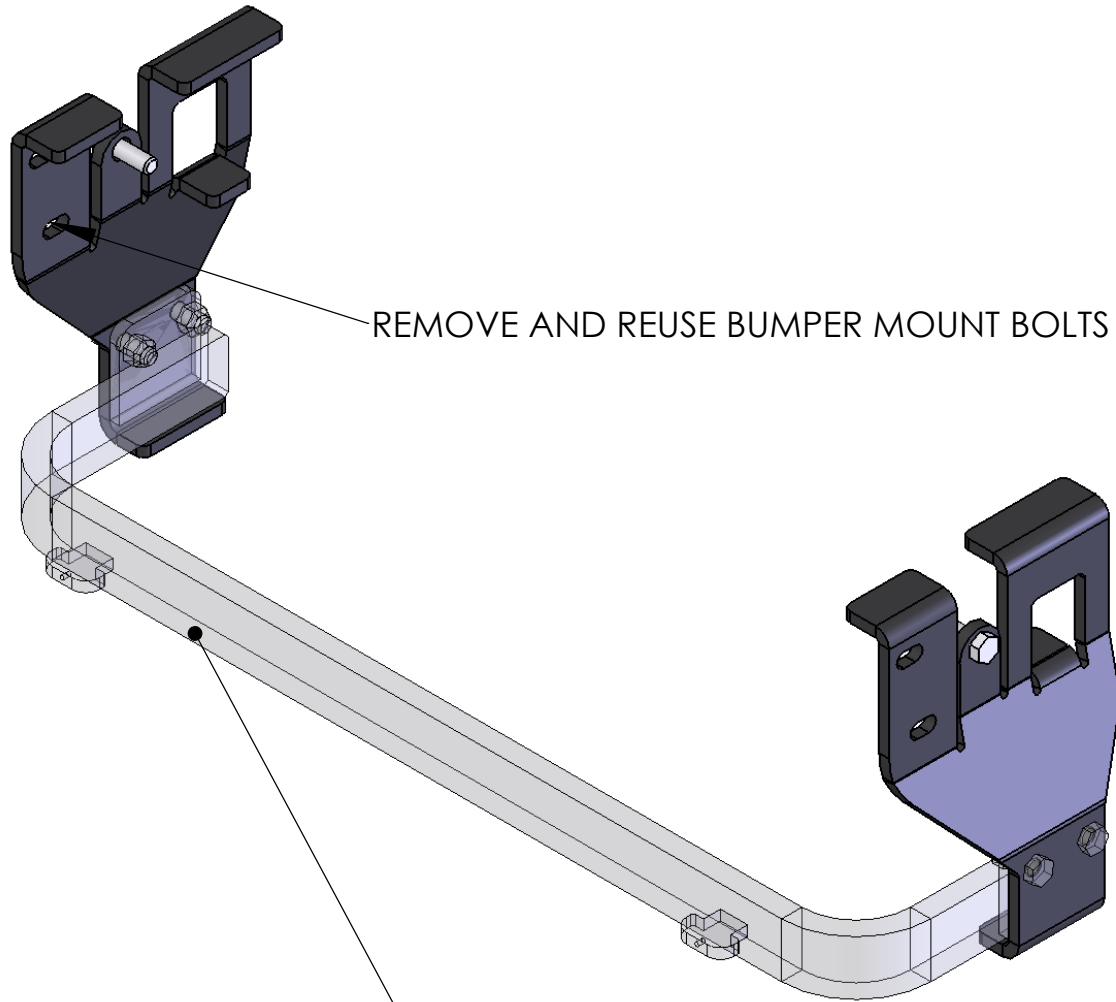


ITEM NO.	PART NUMBER	mount/QTY.
1	89010-1	1
2	Mirror89010-1	1
3	M14-2-45	2



SIZE <b>A</b>	DWG. NO. <b>89010-A</b>	REV
SCALE: 1:10	WEIGHT:	SHEET 1 OF 2



REMOVE AND REUSE BUMPER MOUNT BOLTS

CROSS BAR NOT INCLUDED WITH MOUNT KIT

SIZE	DWG. NO.	REV
<b>A</b>	<b>89010-A</b>	
SCALE: 1:10	WEIGHT:	SHEET 2 OF 2

5



4

3

2

1